

# Radiation Hardened and SEE Hardened 6A Synchronous Buck Regulator

## ISL70001ASEH

The ISL70001ASEH is a radiation hardened and SEE hardened high efficiency monolithic synchronous buck regulator with integrated MOSFETs. This single chip power solution operates over an input voltage range of 3V to 5.5V and provides a tightly regulated output voltage that is externally adjustable from 0.8V to ~85% of the input voltage. Output load current capacity is 6A for  $T_j < +145^\circ\text{C}$ .

The ISL70001ASEH utilizes peak current-mode control for excellent output load transient response and features integrated compensation and switches at a fixed frequency of 1MHz to reduce component size and count. In application where two POLs are needed, two ISL70001ASEH devices can be synchronized  $180^\circ$  out-of-phase to reduce the overall input RMS ripple current. The internal synchronous power switches are optimized for high efficiency and good thermal performance.

The ISL70001ASEH incorporates fault protection for the regulator. The protection circuits include input undervoltage, output undervoltage, and output overcurrent.

High integration and class leading radiation tolerance makes the ISL70001ASEH an ideal choice to power many of today's small form factor applications. Two devices can be synchronized to provide a complete power solution for large scale digital ICs, like field programmable gate arrays (FPGAs), that require separate core and I/O voltages.

## Applications

- FPGA, CPLD, DSP, CPU Core or I/O voltages
- Low-voltage, high-density distributed power systems

## Related Literature

- [AN1842](#), "ISL70001ASEHEV1Z Evaluation Board"

## Features

- $\pm 1\%$  reference voltage over line, load, temperature and radiation
- Current mode control for excellent dynamic response
- Full mil-temp range operation ( $T_A = -55^\circ\text{C}$  to  $+125^\circ\text{C}$ )
- 50% lower shutdown supply current than the ISL70001SEH
- Available in a thermally enhanced heatsink package - R48.B
- Highly efficient: 94% peak efficiency
- Operates from 3V to 5.5V supply
- Adjustable output voltage
  - Two external resistors set  $V_{OUT}$  from 0.8V to  $\sim 85\%$  of  $V_{IN}$
- Bidirectional SYNC pin allows two devices to be synchronized  $180^\circ$  out-of-phase
- Power-good output voltage monitor
- Adjustable analog soft-start
- Input undervoltage, output undervoltage and output overcurrent protection
- Electrically screened to DLA SMD [5962-09225](#)
- QML qualified per MIL-PRF-38535 requirements
- Radiation hardness
  - Total dose [50-300rad(Si)/s] ..... 100krad(Si)
  - Total dose [ $<10\text{mrads(Si)/s}$ ] ..... 100krad(Si)\*
- \* Product capability established by initial characterization. The EH version is acceptance tested on a wafer-by-wafer basis to 50krad(Si) at low dose rate.
- SEE hardness
  - SEL and SEB  $LET_{eff}$  ..... 86.4MeV/mg/cm<sup>2</sup> min
  - SEFI X-section ( $LET_{eff} = 86.4\text{MeV/mg/cm}^2$ )  $1.4 \times 10^{-6}\text{cm}^2$  max
  - SET  $LET_{eff}$  ( $< 1$  pulse perturbation) 86.4MeV/mg/cm<sup>2</sup> min

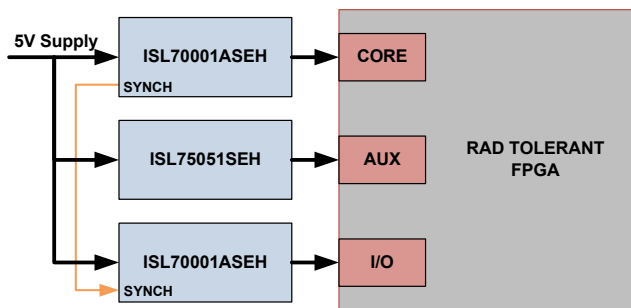


FIGURE 1. TYPICAL APPLICATION

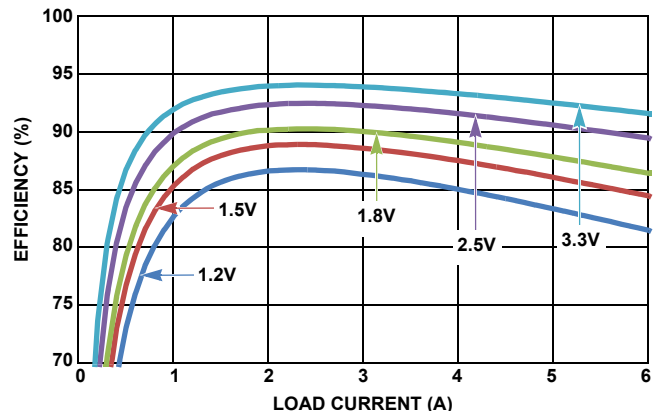
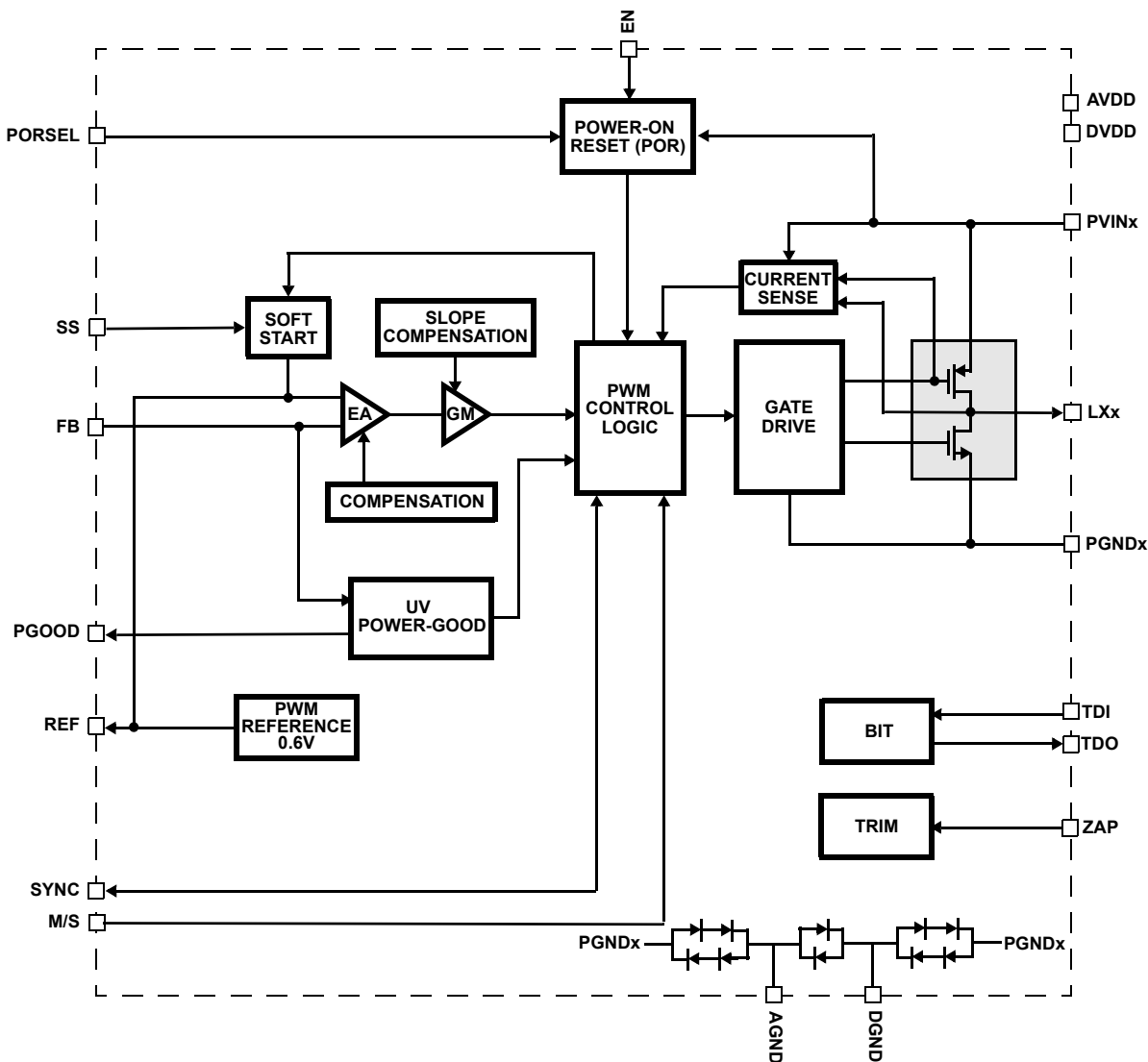


FIGURE 2. EFFICIENCY 5V INPUT,  $T_A = +25^\circ\text{C}$

## Functional Block Diagram



## Ordering Information

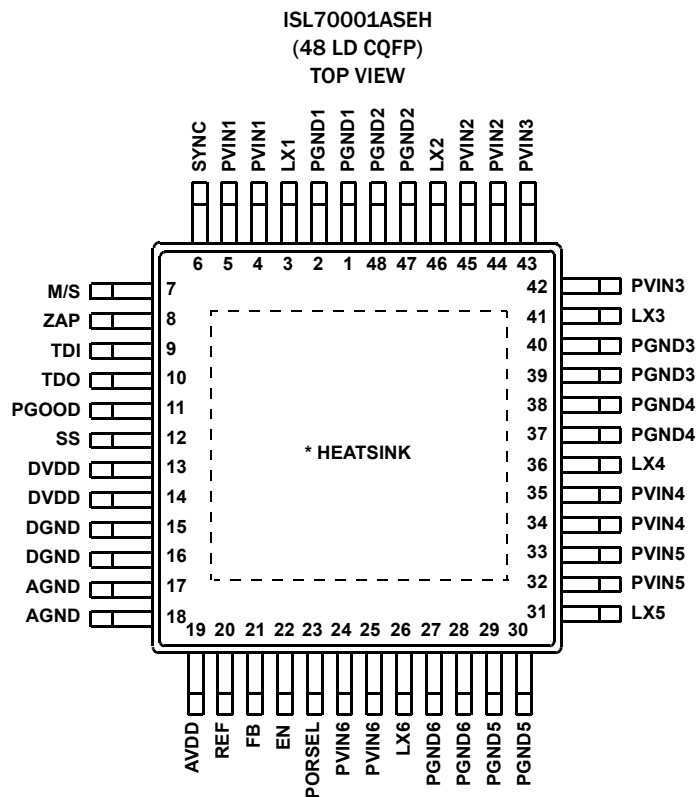
ORDERING NUMBER (Note 1)	PART NUMBER	TEMP. RANGE (°C)	PACKAGE (RoHS Compliant)	PKG. DWG. #
5962R0922503VXC	ISL70001ASEHV (Note 2)	-55 to +125	48 Ld CQFP	R48.A
5962R0922503VYC	ISL70001ASEHVFE (Note 2)	-55 to +125	48 Ld CQFP with Heatsink	R48.B
5962R0922503V9A	ISL70001ASEHVX	-55 to +125	Die	
ISL70001ASEHF/PROTO	ISL70001ASEHF/PROTO (Note 2)	-55 to +125	48 Ld CQFP	R48.A
ISL70001ASEHFE/PROTO	ISL70001ASEHFE/PROTO (Note 2)	-55 to +125	48 Ld CQFP with Heatsink	R48.B
ISL70001ASEHX/SAMPLE	ISL70001ASEHX/SAMPLE	-55 to +125	Die	
ISL70001ASEHEV1Z	ISL70001ASEHEV1Z		Evaluation Board	

### NOTES:

- Specifications for Rad Hard QML devices are controlled by the Defense Logistics Agency Land and Maritime (DLA). The SMD numbers listed in the Ordering Information table must be used when ordering.
- These Intersil Pb-free Hermetic packaged products employ 100% Au plate - e4 termination finish, which is RoHS compliant and compatible with both SnPb and Pb-free soldering operations.

# ISL70001ASEH

## Pin Configuration



## Pin Descriptions

PIN NUMBER	PIN NAME	DESCRIPTION
1, 2, 27, 28, 29, 30, 37, 38, 39, 40, 47, 48	PGNDx	These pins are the power grounds associated with the corresponding internal power blocks. Connect these pins directly to the ground plane. These pins should also connect to the negative terminals of the input and output capacitors. Locate the input and output capacitors as close as possible to the IC.
3, 26, 31, 36, 41, 46	LXx	These pins are the outputs of the corresponding internal power blocks and should be connected to the output filter inductor. Internally, these pins are connected to the synchronous MOSFET power switches. To minimize voltage undershoot, it is recommended that a Schottky diode be connected from these pins to PGNDx. The Schottky diode should be located as close as possible to the IC.
4, 5, 24, 25, 32, 33, 34, 35, 42, 43, 44, 45	PVINx	These pins are the power supply inputs to the corresponding internal power blocks. These pins must be connected to a common power supply rail, which must fall in the range of 3V to 5.5V. Bypass these pins directly to PGNDx with ceramic capacitors located as close as possible to the IC.
6	SYNC	This pin is the synchronization I/O for the IC. When configured as an output (Master Mode), this pin drives the SYNC input of another ISL70001ASEH. When configured as an input (Slave Mode), this pin accepts the SYNC output from another ISL70001ASEH or an external clock. Synchronization of the slave unit is 180° out-of-phase with respect to the master unit. If synchronizing to an external clock, the clock must be SEE hardened and the frequency must be within the range of 1MHz ±20%.
7	M/S	This pin is the Master/Slave input for selecting the direction of the bidirectional SYNC pin. For SYNC = Output (Master Mode), connect this pin to DVDD. For SYNC = Input (Slave Mode), connect this pin to DGND.
8	ZAP	This pin is a trim input and is used to adjust various internal circuitry. Connect this pin to DGND.
9	TDI	This pin is the test data input of the internal BIT circuitry. Connect this pin to DGND.
10	TDO	This pin is the test data output of the internal BIT circuitry. Connect this pin to DGND.
11	PGOOD	This pin is the power-good output. This pin is an open drain logic output that is pulled to DGND when the output voltage is outside a ±11% typical regulation window. This pin can be pulled up to any voltage from 0V to 5.5V, independent of the supply voltage. A nominal 1kΩ to 10kΩ pull-up resistor is recommended. Bypass this pin to DGND with a 10nF ceramic capacitor to mitigate SEE.

# ISL70001ASEH

## Pin Descriptions (Continued)

PIN NUMBER	PIN NAME	DESCRIPTION
12	SS	<p>This pin is the soft-start input. Connect a ceramic capacitor from this pin to DGND to set the soft-start output ramp time in accordance with <a href="#">Equation 1</a>:</p> $t_{SS} = C_{SS} \cdot V_{REF} / I_{SS} \quad (\text{EQ. 1})$ <p>where:  <math>t_{SS}</math> = Soft-start output ramp time  <math>C_{SS}</math> = Soft-start capacitor  <math>V_{REF}</math> = Reference voltage (0.6V typical)  <math>I_{SS}</math> = Soft-start charging current (23<math>\mu</math>A typical)            Soft-start time is adjustable from approximately 2ms to 200ms.            The range of the soft-start capacitor should be 82nF to 8.2<math>\mu</math>F, inclusive.</p>
13, 14	DVDD	<p>These pins are the bias supply inputs to the internal digital control circuitry. Connect these pins together at the IC and locally filter them to DGND using a 1<math>\Omega</math> resistor and a 1<math>\mu</math>F ceramic capacitor. Locate both filter components as close as possible to the IC.</p>
15, 16	DGND	<p>These pins are the digital ground associated with the internal digital control circuitry. Connect these pins directly to the ground plane.</p>
17, 18	AGND	<p>These pins are the analog ground associated with the internal analog control circuitry. Connect these pins directly to the ground plane.</p>
19	AVDD	<p>This pin is the bias supply input to the internal analog control circuitry. Locally filter this pin to AGND using a 1<math>\Omega</math> resistor and a 1<math>\mu</math>F ceramic capacitor. Locate both filter components as close as possible to the IC.</p>
20	REF	<p>This pin is the internal reference voltage output. Bypass this pin to AGND with a 220nF ceramic capacitor located as close as possible to the IC. The bypass capacitor is needed to mitigate SEE. No current (sourcing or sinking) is available from this pin.</p>
21	FB	<p>This pin is the voltage feedback input to the internal error amplifier. Connect a resistor from FB to VOUT and from FB to AGND to adjust the output voltage in accordance with <a href="#">Equation 2</a>:</p> $V_{OUT} = V_{REF} \cdot [1 + (R_T / R_B)] \quad (\text{EQ. 2})$ <p>where:  <math>V_{OUT}</math> = Output voltage  <math>V_{REF}</math> = Reference voltage (0.6V typical)  <math>R_T</math> = Top divider resistor (Must be 1k<math>\Omega</math>)  <math>R_B</math> = Bottom divider resistor            The top divider resistor must be 1k<math>\Omega</math> to mitigate SEE. Connect a 4.7nF ceramic capacitor across <math>R_T</math> to mitigate SEE and to improve stability margins.</p>
22	EN	<p>This pin is the enable input to the IC. This is a comparator type input with a rising threshold of 0.6V and programmable hysteresis. Driving this pin above 0.6V enables the IC. Bypass this pin to AGND with a 10nF ceramic capacitor to mitigate SEE.</p>
23	PORSEL	<p>This pin is the input for selecting the rising and falling POR (Power-On-Reset) thresholds. For a nominal 5V supply, connect this pin to DVDD. For a nominal 3.3V supply, connect this pin to DGND. For nominal supply voltages between 5V and 3.3V, connect this pin to DGND.</p>
	HEATSINK	<p>The heatsink is electrically isolated and should be connected to a thermal chassis of any potential which offers optimal thermal relief.</p>

## Typical Application Schematic

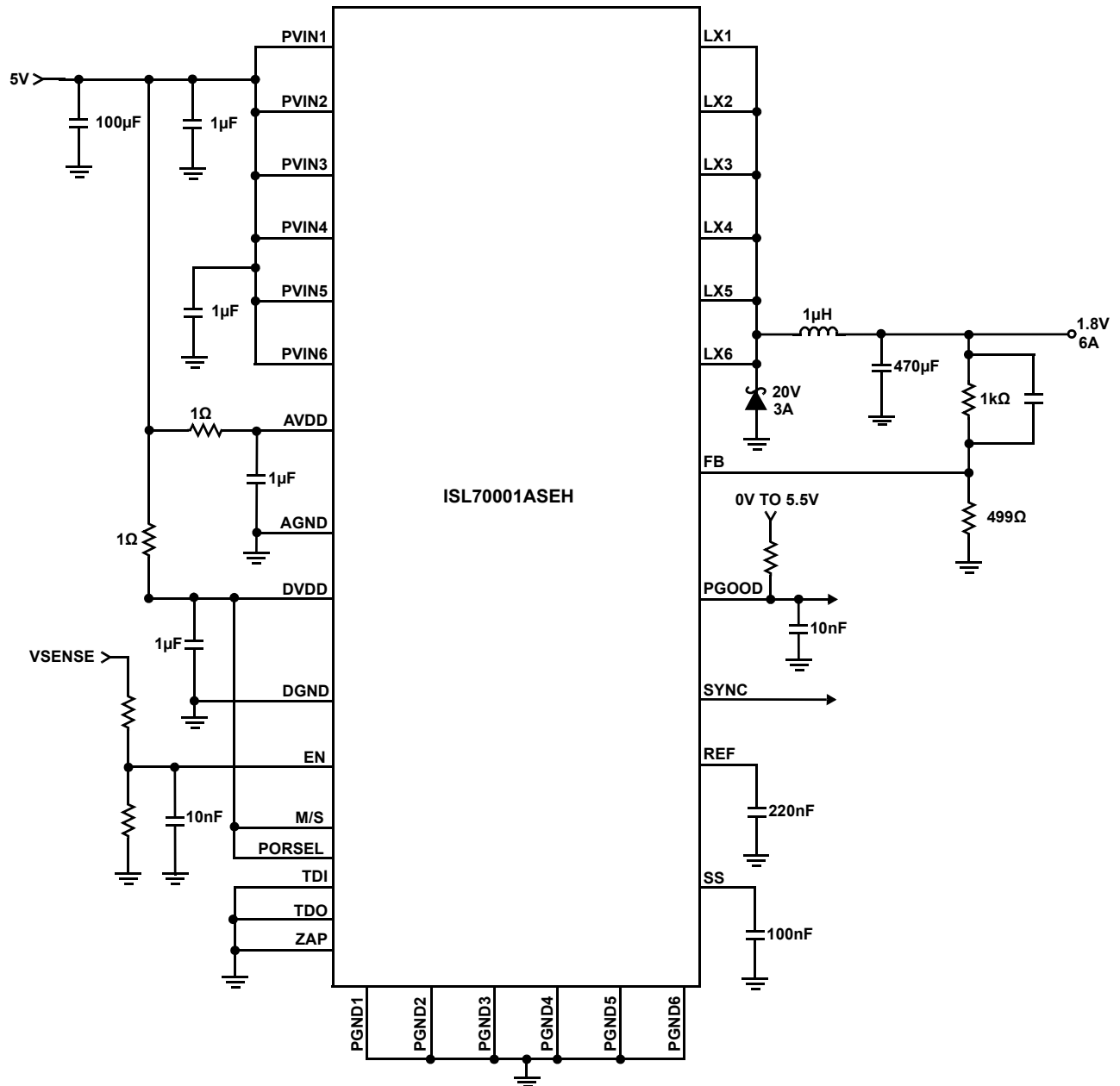


FIGURE 3. 5V INPUT SUPPLY VOLTAGE WITH MASTER MODE SYNCHRONIZATION

# ISL70001ASEH

## Typical Application Schematic (Continued)

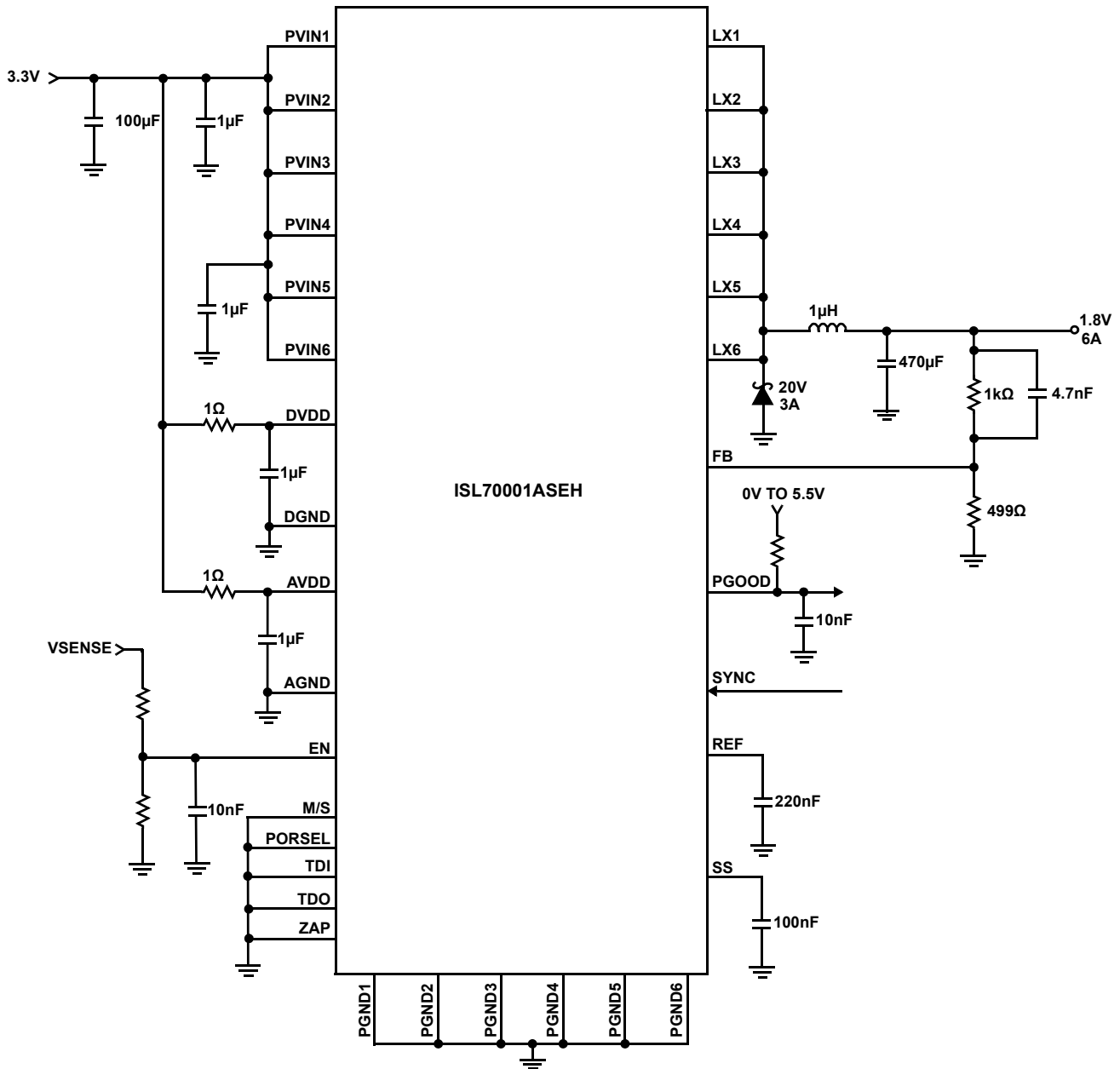


FIGURE 4. 3.3V INPUT SUPPLY VOLTAGE WITH SLAVE MODE SYNCHRONIZATION

# ISL70001ASEH

## Absolute Maximum Ratings

AVDD	AGND - 0.3V to AGND + 6.5V
DVDD	DGND - 0.3V to DGND + 6.5V
LXx, PVINx	PGNDx - 0.3V to PGNDx + 6.5V
AVDD - AGND, DVDD - DGND	PVINx - PGNDx ± 0.3V
Signal Pins (Note 8)	AGND - 0.3V to AVDD + 0.3V
Digital Control Pins (Note 9)	DGND - 0.3V to DVDD + 0.3V
PGOOD	DGND - 0.3V to DGND + 6.5V
SS	DGND - 0.3V to DGND + 2.5V

## Absolute Maximum Ratings (Note 7)

AVDD	AGND - 0.3V to AGND + 5.7V
DVDD	DGND - 0.3V to DGND + 5.7V
LXx, PVINx	PGNDx - 0.3V to PGNDx + 5.7V
AVDD - AGND, DVDD - DGND	PVINx - PGNDx ± 0.3V
Signal Pins (Note 8)	AGND - 0.3V to AVDD + 0.3V
Digital Control Pins (Note 9)	DGND - 0.3V to DVDD + 0.3V
PGOOD	DGND - 0.3V to DGND + 5.7V
SS	DGND - 0.3V to DGND + 2.5V

## ESD Rating

Human Body Model (Tested per MIL-PRF-883 3015.7)	2kV
Machine Model (Tested per JESD22-A115-A)	200V

CAUTION: Do not operate at or near the maximum ratings listed for extended periods of time. Exposure to such conditions may adversely impact product reliability and result in failures not covered by warranty.

## NOTES:

- $\theta_{JA}$  is measured with the component mounted on a high effective thermal conductivity test board in free air. See Tech Brief [TB379](#) for details.
- $\theta_{JA}$  is measured in free air with the component mounted on a high effective thermal conductivity test board with "direct attach" features. See Tech Brief [TB379](#)
- For  $\theta_{JC}$ , the "case temp" location is the center of the package underside.
- For  $\theta_{JC}$ , the "case temp" location is the center of the exposed metal pad on the package underside.
- For operation in a heavy ion environment at LET = 86.4 MeV • cm<sup>2</sup>/mg with +125 °C (T<sub>C</sub>).
- EN, FB, PORSEL and REF pins.
- M/S, SYNC, TDI, TDO and ZAP pins

## Electrical Specifications

Unless otherwise noted, V<sub>IN</sub> = AVDD = DVDD = PVINx = EN = M/S = 3V or 5.5V; GND = AGND = DGND = PGNDx = TDI = TDO = ZAP = 0V; FB = 0.65V; PORSEL = V<sub>IN</sub> for 4.5V ≤ V<sub>IN</sub> ≤ 5.5V and GND for V<sub>IN</sub> < 4.5V, SYNC = LXx = Open Circuit; PGOOD is pulled up to V<sub>IN</sub> with a 1k resistor; REF is bypassed to GND with a 220nF capacitor; SS is bypassed to GND with a 100nF capacitor; I<sub>OUT</sub> = 0A; T<sub>A</sub> = T<sub>J</sub> = +25 °C (Note 12). **Boldface limits apply across the operating temperature range, -55 °C to +125 °C; over a total ionizing dose of 100krad(Si) with exposure at a high dose rate of 50 - 300krad(Si)/s; and over a total ionizing dose of 50krad(Si) with exposure at a low dose rate of <10mrads(Si)/s.**

PARAMETER	TEST CONDITIONS	MIN (Note 13)	TYP (Note 12)	MAX (Note 13)	UNITS
<b>POWER SUPPLY</b>					
Operating Supply Current	V <sub>IN</sub> = 5.5V (Note 10)		40	<b>65</b>	mA
	V <sub>IN</sub> = 3.6V (Note 10)		25	<b>45</b>	mA
Shutdown Supply Current	V <sub>IN</sub> = 5.5V, EN = GND (Note 11)		2	<b>6</b>	mA
	V <sub>IN</sub> = 3.6V, EN = GND (Note 11)		1.5	<b>4.5</b>	mA
<b>OUTPUT VOLTAGE</b>					
Reference Voltage Tolerance		<b>0.594</b>	0.6	<b>0.606</b>	V
Output Voltage Tolerance	V <sub>OUT</sub> = 0.8V to 2.5V for V <sub>IN</sub> = 4.5V to 5.5V, V <sub>OUT</sub> = 0.8V to 2.5V for V <sub>IN</sub> = 3V to 3.6V, I <sub>OUT</sub> = 0A to 6A (Notes 14, 15)	<b>-2</b>	0	<b>2</b>	%
Feedback (FB) Input Leakage Current	V <sub>IN</sub> = 5.5V, V <sub>FB</sub> = 0.6V	<b>-1</b>	0	<b>1</b>	μA

## Thermal Information

Thermal Resistance (Typical)	$\theta_{JA}$ (°C/W)	$\theta_{JC}$ (°C/W)
48 Ld CQFP R48.A (Notes 3, 5)	36.5	3
48 Ld CQFP R48.B (Notes 4, 6)	19	1.3
Maximum Junction Temperature	+145 °C	
Storage Temperature Range	-65 °C to +150 °C	
Pb-Free Reflow Profile	see <a href="#">TB493</a>	

## Recommended Operating Conditions

AVDD	AGND + 3V to 5.5V
DVDD	DGND + 3V to 5.5V
PVINx	PGNDx + 3V to 5.5V
AVDD - AGND, DVDD - DGND	PVINx - PGNDx ± 0.1V
Signal Pins (Note 8)	AGND to AVDD
Digital Control Pins (Note 9)	DGND to DVDD
REF, SS	Internally Set
GND, TDI, TDO, TPGM	DGND
I <sub>LXx</sub> (T <sub>J</sub> ≤ +145 °C)	0A to 1.0A
Ambient Temperature Range	-55 °C to +125 °C

# ISL70001ASEH

**Electrical Specifications** Unless otherwise noted,  $V_{IN} = AVDD = DVDD = PVINx = EN = M/S = 3V$  or  $5.5V$ ;  $GND = AGND = DGND = PGNDx = TDI = TDO = ZAP = 0V$ ;  $FB = 0.65V$ ;  $PORSEL = V_{IN}$  for  $4.5V \leq V_{IN} \leq 5.5V$  and  $GND$  for  $V_{IN} < 4.5V$ ;  $SYNC = LXx = \text{Open Circuit}$ ;  $PGOOD$  is pulled up to  $V_{IN}$  with a  $1k$  resistor;  $REF$  is bypassed to  $GND$  with a  $220nF$  capacitor;  $SS$  is bypassed to  $GND$  with a  $100nF$  capacitor;  $I_{OUT} = 0A$ ;  $T_A = T_J = +25^\circ C$  (Note 12). **Boldface limits apply across the operating temperature range,  $-55^\circ C$  to  $+125^\circ C$ ; over a total loding dose of  $100krad(SI)$  with exposure at a high dose rate of  $50 - 300krad(SI)/s$ ; and over a total loding dose of  $50krad(SI)$  with exposure at a low dose rate of  $<10mrads(SI)/s$ .** (Continued)

PARAMETER	TEST CONDITIONS	MIN (Note 13)	TYP (Note 12)	MAX (Note 13)	UNITS
<b>PWM CONTROL LOGIC</b>					
Oscillator Accuracy		<b>0.85</b>	<b>1</b>	<b>1.15</b>	MHz
External Oscillator Range		<b>0.8</b>	<b>1</b>	<b>1.2</b>	MHz
Minimum LXx On Time	$V_{IN} = 5.5V$ , Test Mode		<b>110</b>	<b>150</b>	ns
Minimum LXx Off Time	$V_{IN} = 5.5V$ , Test Mode		<b>40</b>	<b>100</b>	ns
Minimum LXx On Time	$V_{IN} = 3V$ , Test Mode		<b>150</b>	<b>210</b>	ns
Minimum LXx Off Time	$V_{IN} = 3V$ , Test Mode		<b>50</b>	<b>100</b>	ns
Master/Slave (M/S) Input Voltage	Input High Threshold	$V_{IN} - 0.5$	<b>1.3</b>		V
	Input Low Threshold		<b>1.2</b>	<b>0.5</b>	V
Master/Slave (M/S) Input Leakage Current	$V_{IN} = 5.5V$ , M/S = GND or $V_{IN}$	<b>-1</b>	<b>0</b>	<b>1</b>	$\mu A$
Synchronization (SYNC) Input Voltage	Input High Threshold, M/S = GND	<b>2.3</b>	<b>1.7</b>		V
	Input Low Threshold, M/S = GND		<b>1.5</b>	<b>1</b>	V
Synchronization (SYNC) Input Leakage Current	$V_{IN} = 5.5V$ , M/S = GND, SYNC = GND or $V_{IN}$	<b>-1</b>	<b>0</b>	<b>1</b>	$\mu A$
Synchronization (SYNC) Output Voltage	$V_{IN} - V_{OH}$ at $I_{OH} = -1mA$		<b>0.15</b>	<b>0.4</b>	V
	$V_{OL}$ at $I_{OL} = 1mA$		<b>0.15</b>	<b>0.4</b>	V
<b>POWER BLOCKS</b>					
Upper Device $r_{DS(ON)}$	$V_{IN} = 3V$ , 0.4A Per Power Block, Test Mode (Note 15)	<b>122</b>	<b>215</b>	<b>346</b>	$m\Omega$
Lower Device $r_{DS(ON)}$	$V_{IN} = 3V$ , 0.4A Per Power Block, Test Mode (Note 15)	<b>77</b>	<b>146</b>	<b>236</b>	$m\Omega$
LXx Output Leakage	$V_{IN} = 5.5V$ , EN = LXx = GND, Single LXx Output	<b>-1</b>	<b>0</b>		$\mu A$
	$V_{IN} = 5.5V$ , EN = GND, LXx = $V_{IN}$ , Single LXx Output		<b>0</b>	<b>15</b>	$\mu A$
Deadtime	Within a Single Power Block or between Power Blocks (Note 15)	<b>1.7</b>	<b>5</b>		ns
Efficiency	$V_{IN} = 3.3V$ , $V_{OUT} = 1.8V$ , $I_{OUT} = 3A$		<b>90</b>		%
	$V_{IN} = 5V$ , $V_{OUT} = 2.5V$ , $I_{OUT} = 3A$		<b>92</b>		%
<b>POWER-ON RESET</b>					
POR Select (PORSEL)	Input High Threshold	$V_{IN} - 0.5$	<b>1.4</b>		V
	Input Low Threshold		<b>1.2</b>	<b>0.5</b>	V
POR Select (PORSEL) Input Leakage Current	$V_{IN} = 5.5V$ , PORSEL = GND or $V_{IN}$	<b>-1</b>	<b>0</b>	<b>1</b>	$\mu A$
VIN POR	Rising Threshold, PORSEL = $V_{IN}$	<b>4.1</b>	<b>4.25</b>	<b>4.45</b>	V
	Hysteresis, PORSEL = $V_{IN}$	<b>225</b>	<b>325</b>	<b>425</b>	mV
	Rising Threshold, PORSEL = GND	<b>2.65</b>	<b>2.8</b>	<b>2.95</b>	V
	Hysteresis, PORSEL = GND	<b>90</b>	<b>175</b>	<b>260</b>	mV
Enable (EN) Input Voltage	Rising/Falling Threshold	<b>0.56</b>	<b>0.6</b>	<b>0.64</b>	V
Enable (EN) Input Leakage Current	$V_{IN} = 5.5V$ , EN = GND or $V_{IN}$	<b>-3</b>	<b>0</b>	<b>3</b>	$\mu A$
Enable (EN) Sink Current	EN = 0.3V	<b>6.4</b>	<b>11</b>	<b>16.6</b>	$\mu A$



# ISL70001ASEH

**Electrical Specifications** Unless otherwise noted,  $V_{IN} = AVDD = DVDD = PVINx = EN = M/S = 3V$  or  $5.5V$ ;  $GND = AGND = DGND = PGNDx = TDI = TDO = ZAP = 0V$ ;  $FB = 0.65V$ ;  $PORSEL = V_{IN}$  for  $4.5V \leq V_{IN} \leq 5.5V$  and  $GND$  for  $V_{IN} < 4.5V$ ;  $SYNC = LXx = \text{Open Circuit}$ ;  $PGOOD$  is pulled up to  $V_{IN}$  with a  $1k$  resistor;  $REF$  is bypassed to  $GND$  with a  $220nF$  capacitor;  $SS$  is bypassed to  $GND$  with a  $100nF$  capacitor;  $I_{OUT} = 0A$ ;  $T_A = T_J = +25^\circ C$  (Note 12). **Boldface limits apply across the operating temperature range,  $-55^\circ C$  to  $+125^\circ C$ ; over a total loding dose of  $100krad(SI)$  with exposure at a high dose rate of  $50 - 300krad(SI)/s$ ; and over a total loding dose of  $50krad(SI)$  with exposure at a low dose rate of  $<10mrads(SI)/s$ . (Continued)**

PARAMETER	TEST CONDITIONS	MIN (Note 13)	TYP (Note 12)	MAX (Note 13)	UNITS
<b>SOFT-START</b>					
Soft-Start Source Current	SS = GND	<b>20</b>	23	<b>27</b>	$\mu A$
Soft-Start Discharge ON-Resistance			2.2	<b>4.7</b>	$\Omega$
Soft-Start Discharge Time			256		Clock Cycles
<b>POWER-GOOD SIGNAL</b>					
Rising Threshold	$V_{FB}$ as a % of $V_{REF}$ , Test Mode	<b>107</b>	111	<b>115</b>	%
Rising Hysteresis	$V_{FB}$ as a % of $V_{REF}$ , Test Mode	<b>2</b>	3.5	<b>5</b>	%
Falling Threshold	$V_{FB}$ as a % of $V_{REF}$ , Test Mode	<b>85</b>	89	<b>93</b>	%
Falling Hysteresis	$V_{FB}$ as a % of $V_{REF}$ , Test Mode	<b>2</b>	3.5	<b>5</b>	%
Power-Good Drive	$V_{IN} = 3V$ , $PGOOD = 0.4V$ , $EN = GND$	<b>7.3</b>	8.2		mA
Power-Good Leakage	$V_{IN} = PGOOD = 5.5V$		0.001	<b>1</b>	$\mu A$
<b>PROTECTION FEATURES</b>					
<b>Undervoltage Monitor</b>					
Undervoltage Trip Threshold	$V_{IN} = 3V$ , $V_{FB}$ as a % of $V_{REF}$ , Test mode	<b>71</b>	75	<b>79</b>	%
Undervoltage Recovery Threshold	$V_{IN} = 3V$ , $V_{FB}$ as a % of $V_{REF}$ , Test mode	<b>84</b>	88	<b>92</b>	%
<b>Overcurrent Monitor</b>					
Overcurrent Trip Level	LX4 Power Block, Test Mode, (Note 16)	<b>1.3</b>	1.9	<b>2.5</b>	A
Overcurrent Trip Counts	LX4 Power Block, Test Mode (Note 15)		2		
Overcurrent or Short-Circuit Duty-Cycle	$V_{IN} = 3V$ , SS interval = $200\mu s$ , Test Mode, Fault interval divided by hiccup interval		0.8	<b>5</b>	%

**NOTES:**

10.  $L = 1\mu H$  connected to  $Lx$ .
11.  $1k\Omega$   $PGOOD$  pull-up resistor is not populated.
12. Typical values shown are not guaranteed. Guaranteed min/max values are provided in the SMD.
13. Compliance to datasheet limits is assured by one or more methods: production test, characterization and/or design.
14. Limits do not include tolerance of external feedback resistors. The  $0A$  to  $6A$  output current range may be reduced by Minimum  $LXx$  On Time and Minimum  $LXx$  Off Time specifications.
15. Limits established by design, characterization or analysis and are not production tested.
16. During an output short-circuit, peak current through the power block(s) can continue to build beyond the overcurrent trip level by up to  $3A$ . With all six power blocks connected, peak current through the power blocks and output inductor could reach  $(6 \times 2.5A) + 3A = 18A$ .

## Typical Operating Performance

Unless otherwise noted,  $T_A = +25^\circ\text{C}$ ,  $V_{IN} = 5\text{V}$ ,  $EN = 5\text{V}$ ,  $L = 1.0\mu\text{H}$ ,  $C_{IN} = 4 \times 47\mu\text{F}$ ,  $C_{OUT} = 10 \times 100\mu\text{F}$ ,  $V_{OUT} = 1.8\text{V}$ ,  $I_{OUT} = 0\text{A}$  to  $6\text{A}$ .

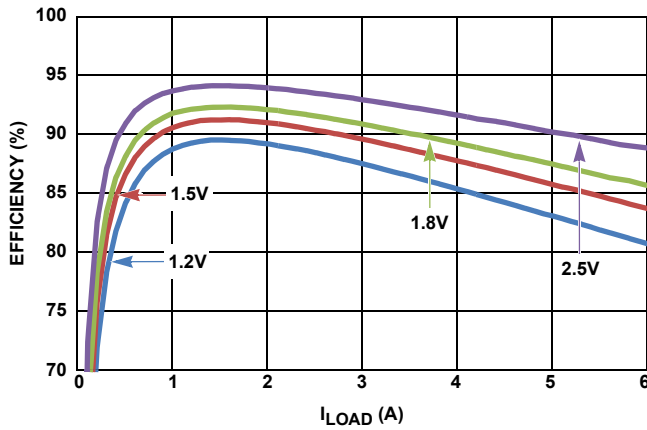


FIGURE 5. EFFICIENCY vs LOAD,  $V_{IN} = 3.3\text{V}$

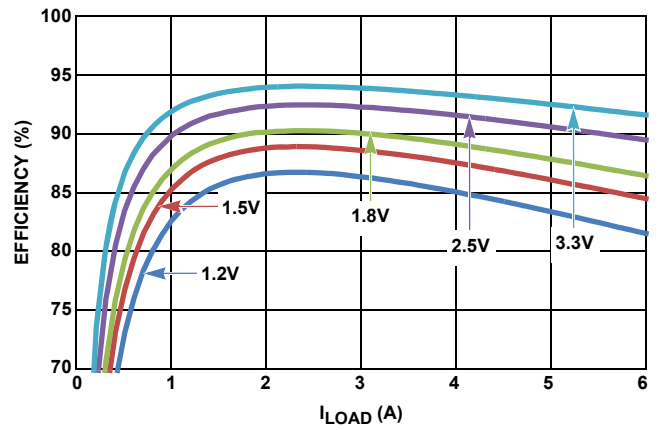


FIGURE 6. EFFICIENCY vs LOAD,  $V_{IN} = 5.0\text{V}$

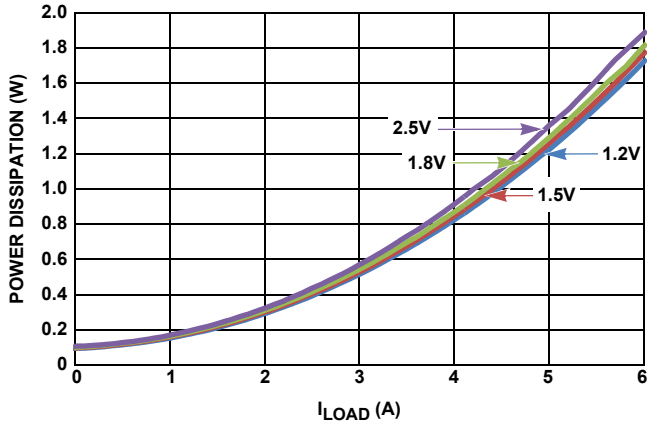


FIGURE 7. POWER DISSIPATION vs LOAD,  $V_{IN} = 3.3\text{V}$

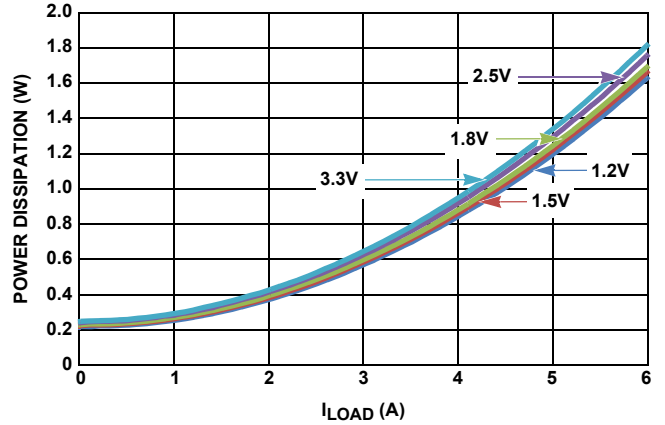


FIGURE 8. POWER DISSIPATION vs LOAD,  $V_{IN} = 5.0\text{V}$

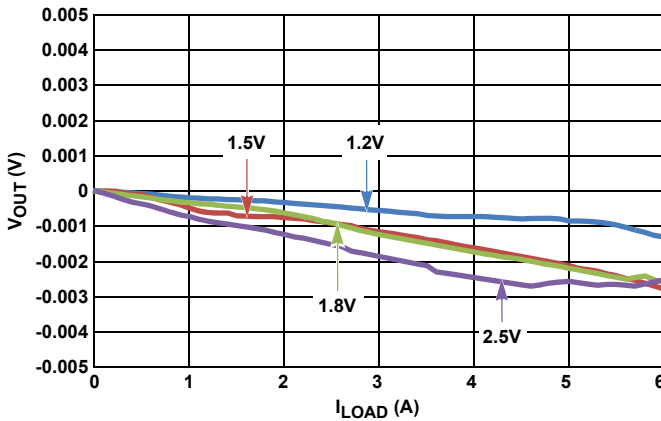


FIGURE 9.  $V_{OUT}$  REGULATION vs  $I_{LOAD}$ ,  $V_{IN} = 3.3\text{V}$  (NORMALIZED to  $I_{LOAD} = 0$ )

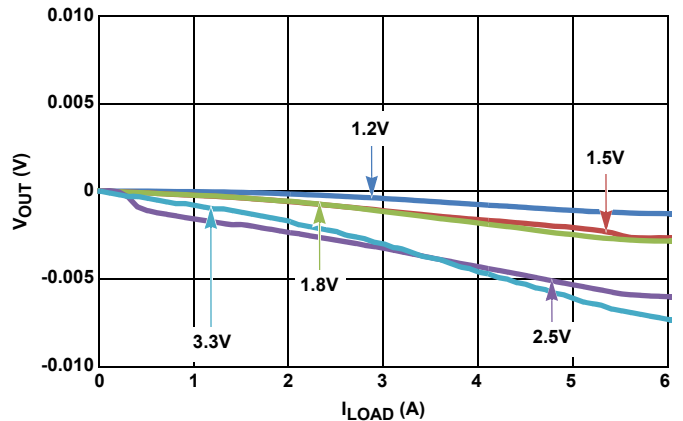


FIGURE 10.  $V_{OUT}$  REGULATION vs  $I_{LOAD}$ ,  $V_{IN} = 5.0\text{V}$  (NORMALIZED to  $I_{LOAD} = 0$ )

## Typical Operating Performance

Unless otherwise noted,  $T_A = +25^\circ\text{C}$ ,  $V_{IN} = 5\text{V}$ ,  $EN = 5\text{V}$ ,  $L = 1.0\mu\text{H}$ ,  $C_{IN} = 4 \times 47\mu\text{F}$ ,  $C_{OUT} = 10 \times 100\mu\text{F}$ ,  $V_{OUT} = 1.8\text{V}$ ,  $I_{OUT} = 0\text{A to } 6\text{A}$ . (Continued)

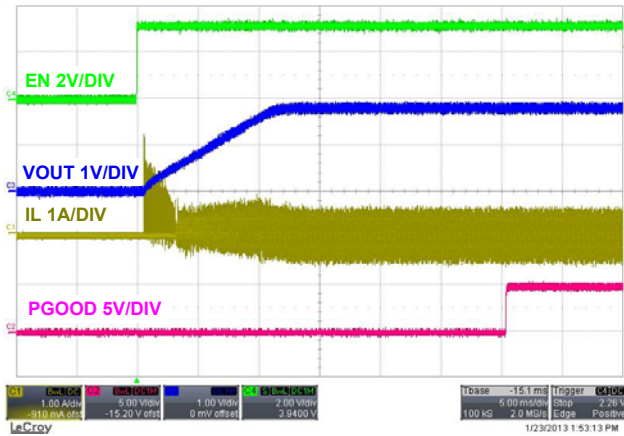


FIGURE 11. SOFT-START WITH NO LOAD

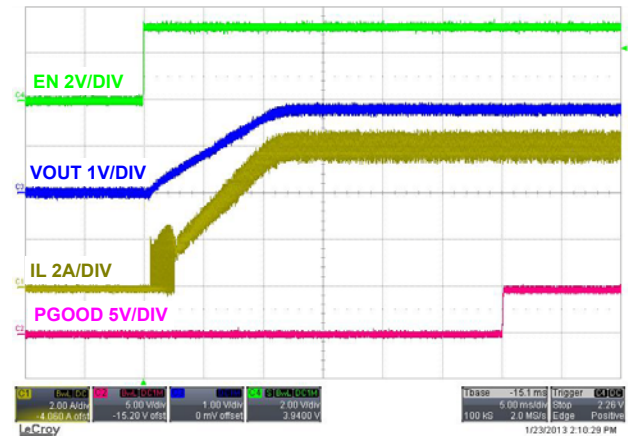


FIGURE 12. SOFT-START WITH FULL LOAD

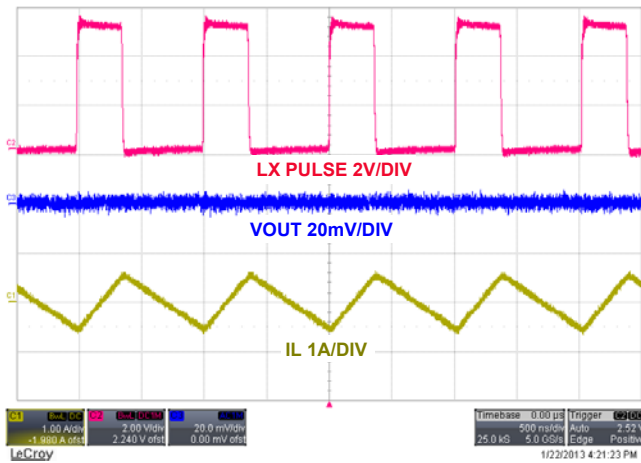


FIGURE 13. STEADY STATE OPERATION WITH NO LOAD

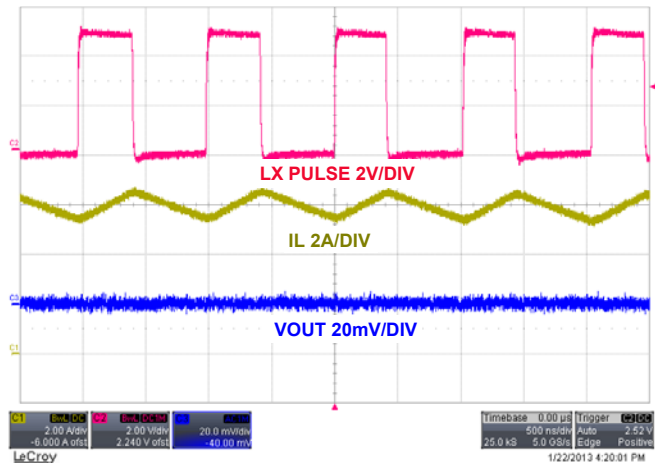


FIGURE 14. STEADY STATE OPERATION WITH FULL LOAD

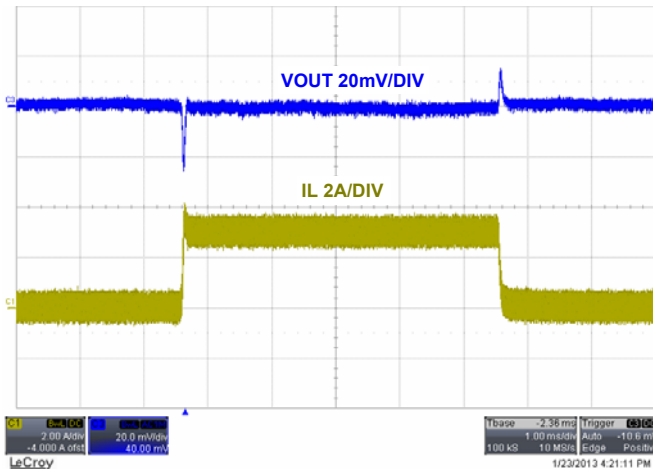


FIGURE 15. LOAD TRANSIENT 50%

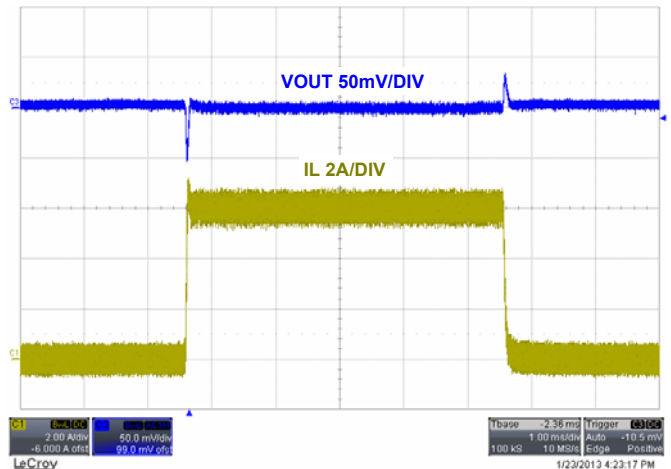


FIGURE 16. LOAD TRANSIENT 100%

## Typical Operating Performance

Unless otherwise noted,  $T_A = +25^\circ\text{C}$ ,  $V_{IN} = 5\text{V}$ ,  $EN = 5\text{V}$ ,  $L = 1.0\mu\text{H}$ ,  $C_{IN} = 4 \times 47\mu\text{F}$ ,  $C_{OUT} = 10 \times 100\mu\text{F}$ ,  $V_{OUT} = 1.8\text{V}$ ,  $I_{OUT} = 0\text{A to } 6\text{A}$ . (Continued)

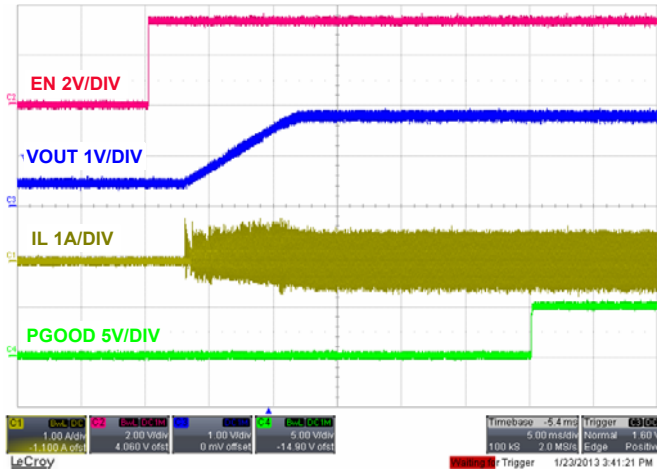


FIGURE 17. SOFT-START WITH PRE-BIASED 0.5V

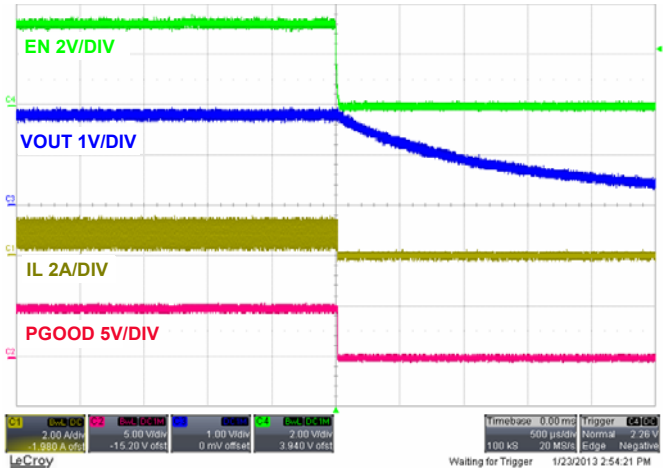


FIGURE 18. SOFT-DISCHARGE SHUTDOWN

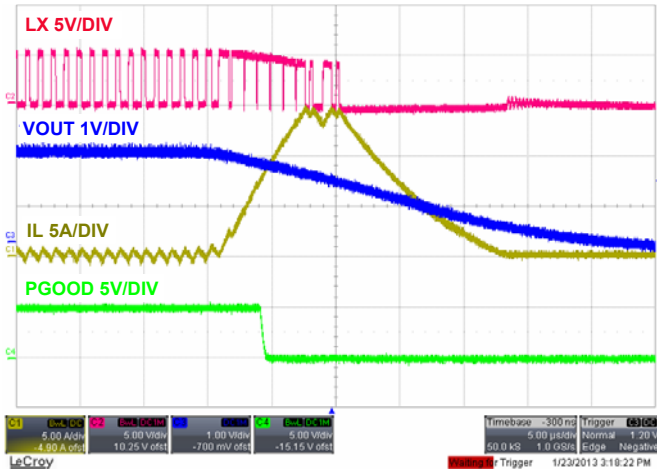


FIGURE 19. OUTPUT SHORT CIRCUIT

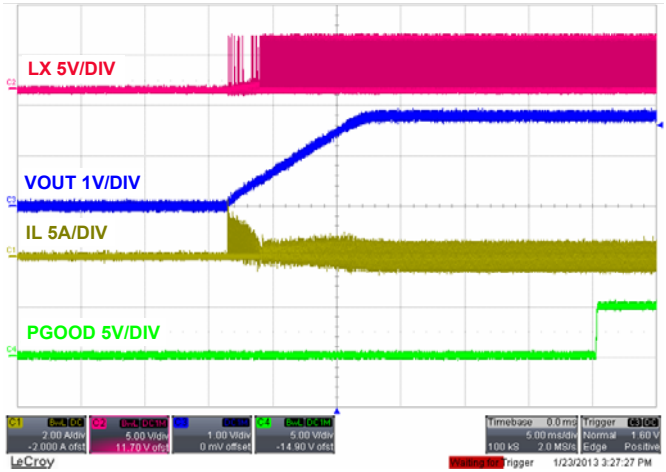


FIGURE 20. OUTPUT SHORT CIRCUIT RECOVERY

## Functional Description

The ISL70001ASEH is a monolithic, fixed frequency, current-mode synchronous buck regulator with user configurable power blocks. Two ISL70001ASEH devices can be used to provide a total DC/DC solution for FPGAs, CPLDs, DSPs and CPUs.

The ISL70001ASEH utilizes peak current-mode control with integrated compensation and switches at a fixed frequency of 1MHz. Two ISL70001ASEH devices can be synchronized 180° out-of-phase to reduce input RMS ripple current. These attributes reduce the number and size of external components required, while providing excellent output transient response. The internal synchronous power switches are optimized for high efficiency and good thermal performance.

The chip features a comparator type enable input that provides flexibility. It can be used for simple digital on/off control or, alternately, can provide undervoltage lockout capability by using two external resistors to precisely sense the level of an external supply voltage. A power-good signal indicates when the output voltage is within ±11% typical of the nominal output voltage.

Regulator start-up is controlled by an analog soft-start circuit, which can be adjusted from approximately 2ms to 200ms by using an external capacitor.

The ISL70001ASEH differs from the ISL70001SEH in the fault counts needed to initiate an overcurrent or undervoltage condition. The ISL70001ASEH also has a lower standby supply current.

## Power Blocks

The power output stage of the regulator consists of six 1A capable power blocks that are paralleled to provide full 6A output current capability. The block diagram in Figure 21 shows a top level view of the individual power blocks.

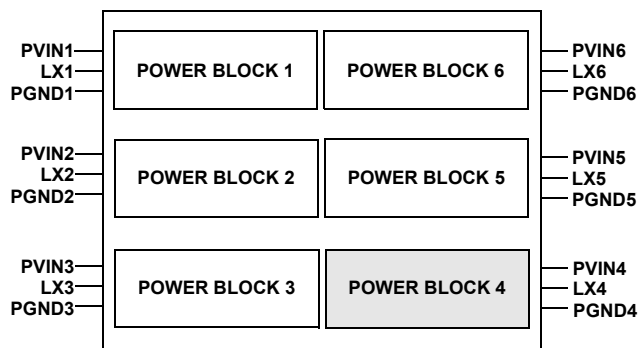


FIGURE 21. POWER BLOCK DIAGRAM

Each power block has a power supply input pin, PVINx, a phase output pin, LXx, and a power supply ground pin, PGNDx. All PVINx pins must be connected to a common power supply rail and all PGNDx pins must be connected to a common ground. LXx pins should be connected to the output inductor based on the required load current, but must include the LX4 pin. For example, if 3A of output current is needed, any three LXx pins can be connected to the inductor as long as one of them is the LX4 pin. The unused LXx pins should be left unconnected. Connecting all

six LXx pins to the output inductor provides a maximum 6A of output current. See the “Typical Application Schematic” on page 5 for pin connection guidance.

A scaled pilot device associated with each power block provides current feedback. Power block 4 contains the master pilot device and this is why it must be connected to the output inductor.

## Main Control Loop

During normal operation, the internal top power switch is turned on at the beginning of each clock cycle. Current in the output inductor ramps up until the current comparator trips and turns off the top power MOSFET. The bottom power MOSFET turns on and the inductor current ramps down for the rest of the cycle.

The current comparator compares the output current at the ripple current peak to a current pilot. The error amplifier monitors V<sub>OUT</sub> and compares it with an internal reference voltage. The output voltage of the error amplifier drives a proportional current to the pilot. If V<sub>OUT</sub> is low, the current level of the pilot is increased and the trip off current level of the output is increased. The increased output current raises V<sub>OUT</sub> until it is in agreement with the reference voltage.

## Output Voltage Selection

The output voltage of the ISL70001ASEH can be adjusted using an external resistor divider as shown in Figure 22.

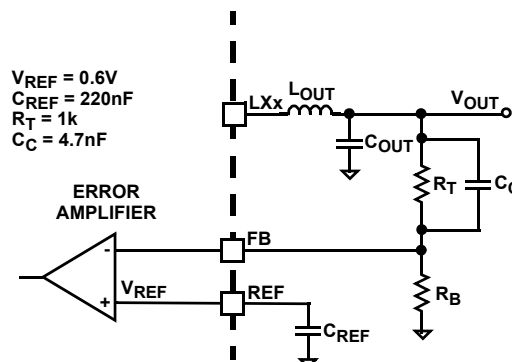


FIGURE 22. OUTPUT VOLTAGE SELECTION

R<sub>T</sub> should be selected as 1kΩ to mitigate SEE. R<sub>T</sub> should be shunted by a 4.7nF ceramic capacitor, C<sub>C</sub>, to mitigate SEE and to improve loop stability margins. The REF pin should be bypassed to AGND with a 220nF ceramic capacitor to mitigate SEE. It should be noted that no current (sourcing or sinking) is available from the REF pin. R<sub>B</sub> can be determined from Equation 3. The designer can configure the output voltage from 0.8V to 85% of the input voltage.

$$R_B = R_T \cdot \frac{V_{REF}}{V_{OUT} - V_{REF}} \quad (EQ. 3)$$

## Switching Frequency/Synchronization

The ISL70001ASEH features an internal oscillator running at a fixed frequency of 1MHz ±15% over recommended operating conditions. The regulator can be configured to run from the internal oscillator or can be synchronized to another ISL70001ASEH or an SEE hardened external clock with a frequency range of 1MHz ±20%.

To run the regulator from the internal oscillator, connect the M/S pin to DVDD. In this case, the output of the internal oscillator appears on the SYNC pin. To synchronize the regulator to the SYNC output of another ISL70001ASEH regulator or to an SEE hardened external clock, connect the M/S pin to DGND. In this case, the SYNC pin is an input that accepts an external synchronizing signal. When synchronizing multiple devices, Slave regulators are synchronized 180° out-of-phase with respect to the SYNC output of a Master regulator or to an external clock.

## Operation Initialization

The ISL70001ASEH initializes based on the state of the power-on reset (POR) monitor of the PVINx inputs and the state of the EN input. Successful initialization prompts a soft-start interval, and the regulator begins slowly ramping the output voltage. Once the commanded output voltage is within the proper window of operation, the power-good signal changes state from low-to-high, indicating proper regulator operation.

## Power-On Reset

The POR circuitry prevents the controller from attempting to soft-start before sufficient bias is present at the PVINx pins.

The POR threshold of the PVINx pins is controlled by the PORSEL pin. For a nominal 5V supply voltage, PORSEL should be connected to DVDD. For a nominal 3.3V supply voltage, PORSEL should be connected to DGND. For nominal supply voltages between 5V and 3.3V, PORSEL should be connected to DGND. The POR rising and falling thresholds are shown in the “Electrical Specifications” table on [page 8](#).

Hysteresis between the rising and falling thresholds ensures that small perturbations on PVINx seen during turn-on/turn-off of the regulator do not cause inadvertent turn-off/turn-on of the regulator. When the PVINx pins are below the POR rising threshold, the internal synchronous power MOSFET switches are turned off, and the LXx pins are held in a high-impedance state.

## Enable and Disable

After the POR input requirement is met, the ISL70001ASEH remains in shutdown until the voltage at the enable input rises above the enable threshold. As shown in [Figure 23](#), the enable circuit features a comparator type input. In addition to simple logic on/off control, the enable circuit allows the level of an external voltage to precisely gate the turn-on/turn-off of the regulator. An internal  $I_{EN}$  current sink with a typical value of 11µA is only active when the voltage on the EN pin is below the enable threshold. The current sink pulls the EN pin low. As  $V_{IN2}$  rises, the enable level is not set exclusively by the resistor divider from  $V_{IN2}$ .

With the current sink active, the enable level is defined by [Equation 4](#).  $R_1$  is the resistor from the EN pin to  $V_{IN2}$  and  $R_2$  is the resistor from the EN pin to the AGND pin.

$$V_{ENABLE} = V_R \cdot \left[ 1 + \frac{R_1}{R_2} \right] + I_{EN} \cdot R_1 \quad (EQ. 4)$$

Once the voltage at the EN pin reaches the enable threshold, the  $I_{EN}$  current sink turns off.

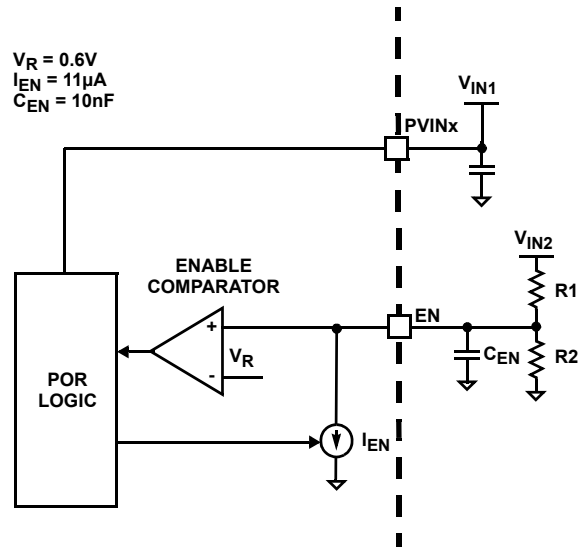


FIGURE 23. ENABLE CIRCUIT

With the part enabled and the  $I_{EN}$  current sink off, the disable level is set by the resistor divider. The disable level is defined by [Equation 5](#).

$$V_{DISABLE} = V_R \cdot \left[ 1 + \frac{R_1}{R_2} \right] \quad (EQ. 5)$$

The difference between the enable and disable levels provides adjustable hysteresis so that noise on  $V_{IN2}$  does not interfere with the enabling or disabling of the regulator.

To mitigate SEE, the EN pin should be bypassed to the AGND pin with a 10nF ceramic capacitor.

## Soft-Start

Once the POR and enable circuits are satisfied, the regulator initiates a soft-start. [Figure 24](#) shows that the soft-start circuit clamps the error amplifier reference voltage to the voltage on an external soft-start capacitor connected to the SS pin.

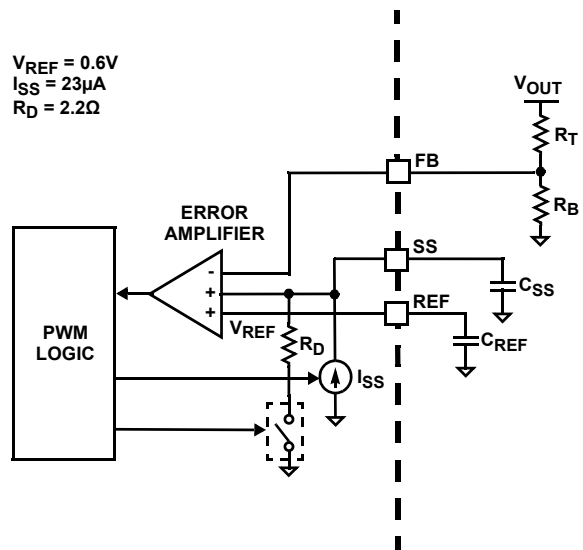


FIGURE 24. SOFT-START CIRCUIT



The soft-start capacitor is charged by an internal  $I_{SS}$  current source. As the soft-start capacitor is charged, the output voltage slowly ramps to the set point determined by the reference voltage and the feedback network. Once the voltage on the SS pin is equal to the internal reference voltage, the soft-start interval is complete. The controlled ramp of the output voltage reduces the in-rush current during start-up. The soft-start output ramp interval is defined in [Equation 6](#) and is adjustable from approximately 2ms to 200ms. The value of the soft-start capacitor,  $C_{SS}$ , should range inclusively from 8.2nF to 8.2μF. The peak in-rush current can be computed from [Equation 7](#). The soft-start interval should be long enough to ensure that the peak in-rush current plus the peak output load current does not exceed the overcurrent trip level of the regulator.

$$t_{SS} = C_{SS} \cdot \frac{V_{REF}}{I_{SS}} \quad (\text{EQ. 6})$$

$$I_{INRUSH} = C_{OUT} \cdot \frac{V_{OUT}}{t_{SS}} \quad (\text{EQ. 7})$$

The soft-start capacitor is immediately discharged by a 2.2Ω resistor whenever POR conditions are not met or EN is pulled low. The soft-start discharge time is equal to 256 clock cycles.

### Power-Good

The power-good (PGOOD) pin is an open-drain logic output that indicates when the output voltage of the regulator is within regulation limits. The power-good pin pulls low during shutdown and remains low when the controller is enabled. After a successful soft-start, the PGOOD pin releases, and the voltage rises with an external pull-up resistor. The power-good signal transitions low immediately when the EN pin is pulled low.

The power-good circuitry monitors the FB pin and compares it to the rising and falling thresholds shown in the “Electrical Specifications” table on [page 9](#). If the feedback voltage exceeds the typical rising limit of 111% of the reference voltage, the PGOOD pin pulls low. The PGOOD pin continues to pull low until the feedback voltage falls to a typical of 107.5% of the reference voltage. If the feedback voltage drops below a typical of 89% of the reference voltage, the PGOOD pin pulls low. The PGOOD pin continues to pull low until the feedback voltage rises to a typical 92.5% of the reference voltage. The PGOOD pin then releases and signals the return of the output voltage to within the power-good window.

The PGOOD pin can be pulled up to any voltage from 0V to 5.5V, independently from the supply voltage. The pull-up resistor should have a nominal value from 1kΩ to 10kΩ. The PGOOD pin should be bypassed to DGND, with a 10nF ceramic capacitor to mitigate SEE.

### Fault Monitoring and Protection

The ISL70001ASEH actively monitors output voltage and current to detect fault conditions. Fault conditions trigger protective measures to prevent damage to the regulator and external load device.

### Undervoltage Protection

A hysteretic comparator monitors the FB pin of the regulator. The feedback voltage is compared to an undervoltage threshold that is a fixed percentage of the reference voltage. Once the comparator trips, indicating a valid undervoltage condition, an undervoltage counter increments. The counter is reset if the feedback voltage rises back above the undervoltage threshold, plus a specified amount of hysteresis outlined in the “Electrical Specifications” table on [page 9](#). If the undervoltage condition exists for 3 consecutive counts, the counter overflows and the undervoltage protection logic shuts down the regulator.

After the regulator shuts down, it enters a delay interval equivalent to the soft-start interval, which allows the device to cool. The undervoltage counter is reset when the device enters the delay interval. The protection logic initiates a normal soft-start once the delay interval ends. If the output successfully soft-starts, the power-good signal goes high, and normal operation continues. If undervoltage conditions continue to exist during the soft-start interval, the undervoltage counter must overflow before the regulator shuts down again. This hiccup mode continues indefinitely until the output soft-starts successfully.

### Overcurrent Protection

A pilot device integrated into the PMOS transistor of Power Block 4 samples current each cycle. This current feedback is scaled and compared to an overcurrent threshold based on the number of power blocks connected. Each additional power block connected beyond Power Block 4 increases the overcurrent limit by 2A. For example, if three power blocks are connected, the typical current limit threshold would be  $3 \times 2A = 6A$ .

If the sampled current exceeds the overcurrent threshold, an overcurrent counter increments by one. Once the overcurrent counter reaches a count of 3, it overflows and the regulator shuts down. If the sampled current falls below the threshold before the counter overflows, the counter is reset.

After the regulator shuts down, it enters a delay interval, equivalent to the soft-start interval, which allows the device to cool. The overcurrent counter is reset when the device enters the delay interval. The protection logic initiates a normal soft-start once the delay interval ends. If the output successfully soft-starts, the power-good signal goes high, and normal operation continues. If overcurrent conditions continue to exist during the soft-start interval, the overcurrent counter must overflow before the regulator shuts down the output again. This hiccup mode continues indefinitely until the output soft-starts successfully.

NOTE: To prevent severe negative ringing that can disturb the overcurrent counter, it is recommended that a Schottky diode of appropriate rating be added from the LXx pins to the PGNDx pins.

### Feedback Loop Compensation

To reduce the number of external components and to simplify the process of determining compensation components, the ISL70001ASEH buck regulator has an internally compensated error amplifier.

Due to the current loop feedback in peak current mode control, the modulator has a single pole response with -20dB slope at a frequency determined by the load ([Equation 8](#)):

$$F_{PO} = \frac{1}{2\pi \cdot R_O \cdot C_{OUT}} \quad (\text{EQ. 8})$$

where  $R_O$  is load resistance and  $C_{OUT}$  is the output load capacitance. For this type of modulator, a Type 2 compensation circuit is usually sufficient.

[Figure 25](#) shows a Type 2 amplifier and its response, along with the responses of the current mode modulator and the converter.

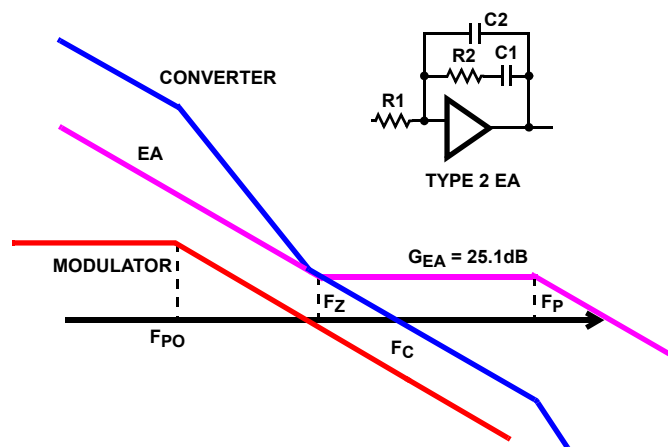


FIGURE 25. FEEDBACK LOOP COMPENSATION

The Type 2 amplifier, in addition to the pole at origin, has a zero-pole pair that causes a flat gain region at frequencies between the zero and the pole ([Equations 9 and 10](#)).

$$F_Z = \frac{1}{2\pi \cdot R_2 \cdot C_1} = 8.6\text{kHz} \quad (\text{EQ. 9})$$

$$F_P = \frac{1}{2\pi \cdot R_1 \cdot C_2} = 546\text{kHz} \quad (\text{EQ. 10})$$

Zero frequency and amplifier high-frequency gain were chosen to satisfy typical applications. The crossover frequency will appear at the point where the modulator attenuation equals the amplifier high frequency gain. The only task that the system designer has to complete is to specify the output filter capacitors to position the load main pole somewhere within one decade lower than the amplifier zero frequency. [Equation 13](#) on [page 17](#) approximates the amount of capacitance needed to achieve an optimal pole location depending on the number of LXx pins connected. With this type of compensation, plenty of phase margin is easily achieved due to zero-pole pair phase 'boost'.

Conditional stability may occur only when the main load pole is positioned too much to the left side on the frequency axis due to excessive output filter capacitance. In this case, the ESR zero placed within the 1.2kHz to 30kHz range gives some additional phase 'boost'. Some phase boost is also achieved by connecting the recommended capacitor  $C_C$  in parallel with the upper resistor  $R_T$  of the divider that sets the output voltage value, as demonstrated in [Figure 22](#).

## Component Selection Guide

This design guide is intended to provide a high-level explanation of the steps necessary to create a power converter. It is assumed the reader is familiar with many of the basic skills and techniques referenced in the following. In addition to this guide, Intersil provides a complete evaluation board that includes schematic, BOM, and an example PCB layout (see "Ordering Information" table on [page 2](#)).

### Output Filter Design

The output inductor and the output capacitor bank together form a low-pass filter responsible for smoothing the pulsating voltage at the phase node. The filter must also provide the transient energy until the regulator can respond. Since the filter has low bandwidth relative to the switching frequency, it limits the system transient response. The output capacitors must supply or sink current while the current in the output inductor increases or decreases to meet the load demand.

### OUTPUT CAPACITOR SELECTION

The critical load parameters in choosing the output capacitors are the maximum size of the load step ( $\Delta I_{STEP}$ ), the load-current slew rate ( $di/dt$ ), and the maximum allowable output voltage deviation under transient loading ( $\Delta V_{MAX}$ ). Capacitors are characterized according to their capacitance, Equivalent Series Resistance (ESR) and Equivalent Series Inductance (ESL).

At the beginning of a load transient, the output capacitors supply all of the transient current. The output voltage initially deviates by an amount approximated by the voltage drop across the ESL. As the load current increases, the voltage drop across the ESR increases linearly until the load current reaches its final value. Neglecting the contribution of inductor current and regulator response, the output voltage initially deviates by an amount shown in [Equation 11](#).

$$\Delta V_{MAX} \approx \left[ ESL \times \frac{di}{dt} \right] + \left[ ESR \times \Delta I_{STEP} \right] \quad (\text{EQ. 11})$$

The filter capacitors selected must have sufficiently low ESL and ESR such that the total output voltage deviation is less than the maximum allowable ripple.

Most capacitor solutions rely on a mixture of high frequency capacitors with relatively low capacitance in combination with bulk capacitors having high capacitance but larger ESR. Minimizing the ESL of the high-frequency capacitors allows them to support the output voltage as the current increases. Minimizing the ESR of the bulk capacitors allows them to supply the increased current with less output voltage deviation.

Ceramic capacitors with X7R dielectric are recommended. Alternately, a combination of low ESR solid tantalum capacitors and ceramic capacitors with X7R dielectric may be used.

The ESR of the bulk capacitors is responsible for most of the output voltage ripple. As the bulk capacitors sink and source the inductor AC ripple current, a voltage,  $V_{P-P(MAX)}$ , develops across the bulk capacitor according to [Equation 12](#).

$$V_{P-P(MAX)} = ESR \times \left[ \frac{(V_{IN} - V_{OUT})V_{OUT}}{L_{OUT} \times f_s \times V_{IN}} \right] \quad (\text{EQ. 12})$$



In addition to ESL and ESR, another consideration in selecting the output capacitors is loop stability. The total output capacitance sets the dominant pole of the PWM. Because the ISL70001ASEH uses integrated compensation techniques, it is necessary to restrict the output capacitance in order to optimize loop stability. The recommended load capacitance can be estimated using [Equation 13](#).

$$C_{OUT} = 75\mu\text{F} \times \text{Number of LX Pins Connected} \times \frac{1.8\text{V}}{V_{OUT}} \quad (\text{EQ. 13})$$

Another stability requirement on the selection of the output capacitor is that the 'ESR zero' ( $f_{ZESR}$ ) be placed at 60kHz to 90kHz. This range is set by an internal, single compensation zero at 8.6kHz. This ESR zero location contributes to an increased phase margin of the control loop; therefore if a capacitor is chosen with an inadequate ESR, stability may be compromised. [Equation 14](#) may be used to calculate the required ESR to place the 'ESR zero' in the recommended range:

$$\text{ESR} = \frac{1}{2\pi(f_{ZESR})(C_{OUT})} \quad (\text{EQ. 14})$$

In conclusion, the output capacitors must meet three criteria:

1. They must have sufficient bulk capacitance to sustain the output voltage during a load transient while the output inductor current is slewing to the value of the load transient.
2. The ESR must be sufficiently low to meet the desired output voltage ripple due to the output inductor current.
3. The ESR zero should be placed, in a rather large range, to provide additional phase margin.

## OUTPUT INDUCTOR SELECTION

Once the output capacitors are selected, the maximum allowable ripple voltage,  $V_{P-P(MAX)}$ , determines the lower limit on the inductance as shown in [Equation 15](#).

$$L_{OUT} \geq \text{ESR} \times \left[ \frac{(V_{IN} - V_{OUT})V_{OUT}}{f_s \times V_{IN} \times V_{P-P(MAX)}} \right] \quad (\text{EQ. 15})$$

Since the output capacitors are supplying a decreasing portion of the load current while the regulator recovers from the transient, the capacitor voltage becomes slightly depleted. The output inductor must be capable of assuming the entire load current before the output voltage decreases more than  $\Delta V_{MAX}$ . This places an upper limit on inductance.

[Equation 16](#) gives the upper limit on output inductance for the case when the trailing edge of the current transient causes a greater output voltage deviation than the leading edge. [Equation 17](#) addresses the leading edge. Normally, the trailing edge dictates the inductance selection because duty cycles are usually <50%. Nevertheless, both inequalities should be evaluated, and inductance should be governed based on the lower of the two results. In each equation,  $L_{OUT}$  is the output inductance,  $C_{OUT}$  is the total output capacitance, and  $\Delta I_{L(P-P)}$  is the peak-to-peak ripple current in the output inductor.

$$L_{OUT} \leq \frac{2 \cdot C_{OUT} \cdot V_{OUT}}{(\Delta I_{STEP})^2} \left[ \Delta V_{MAX} - (\Delta I_{L(P-P)} \cdot \text{ESR}) \right] \quad (\text{EQ. 16})$$

$$L_{OUT} \leq \frac{2 \cdot C_{OUT}}{(\Delta I_{STEP})^2} \left[ \Delta V_{MAX} - (\Delta I_{L(P-P)} \cdot \text{ESR}) \right] (V_{IN} - V_{OUT}) \quad (\text{EQ. 17})$$

Another concern when selecting an output inductor is to ensure there is adequate slope compensation when the regulator is operated above 50% duty cycle. Since the internal slope compensation is fixed, output inductance should satisfy [Equation 18](#) to ensure this requirement is met.

$$L_{OUT} \geq \frac{4.32\mu\text{H}}{\text{Number of LX Pins Connected}} \quad (\text{EQ. 18})$$

## Input Capacitor Selection

Input capacitors are responsible for sourcing the AC component of the input current flowing into the switching power devices. Their RMS current capacity must be sufficient to handle the AC component of the current drawn by the switching power devices, which is related to duty cycle. The maximum RMS current required by the regulator is closely approximated by [Equation 19](#).

$$I_{RMS\_MAX} = \sqrt{\frac{V_{OUT}}{V_{IN}} \times \left( I_{OUT(MAX)}^2 + \frac{1}{12} \times \left( \frac{V_{IN} - V_{OUT}}{L_{OUT} \times f_s} \times \frac{V_{OUT}}{V_{IN}} \right)^2 \right)} \quad (\text{EQ. 19})$$

The important parameters to consider when selecting an input capacitor are the voltage rating and the RMS ripple current rating. For reliable operation, select capacitors with voltage ratings at least 1.5x greater than the maximum input voltage. The capacitor RMS ripple current rating should be higher than the largest RMS ripple current required by the circuit.

Ceramic capacitors with X7R dielectric are recommended. Alternately, a combination of low ESR solid tantalum capacitors and ceramic capacitors with X7R dielectric may be used. The ISL70001ASEH requires a minimum effective input capacitance of 100μF for stable operation.

## Derating Current Capability

Most space programs issue specific derating guidelines for parts, but these guidelines take the pedigree of the part into account. For instance, a device built to MIL-PRF-38535, such as the ISL70001ASEH, is already heavily derated from a current density standpoint. However, a mil-temp or commercial IC that is up-screened for use in space applications may need additional current derating to ensure reliable operation because it was not built to the same standards as the ISL70001ASEH.

[Figure 26](#) shows the maximum average output current of the ISL70001ASEH with respect to junction temperature. These plots take into account the worst-case current share mismatch in the power blocks and the current density requirement of MIL-PRF-38535 ( $< 2 \times 10^5 \text{ A/cm}^2$ ). The plot clearly shows that the ISL70001ASEH can handle 12.1A at +125 °C from a worst-case current density standpoint, but the part is limited to 7.8A because that is the lower limit of the current limit threshold with all six power blocks connected.

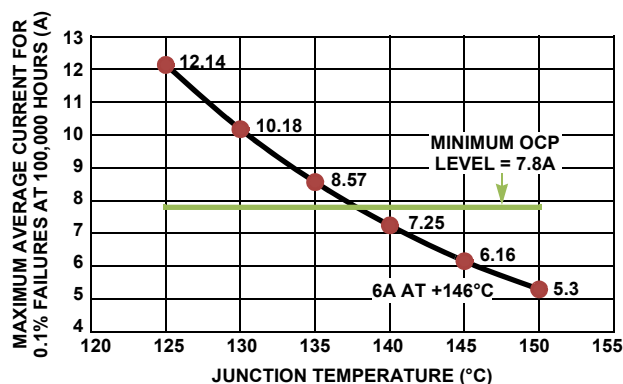


FIGURE 26. CURRENT vs TEMPERATURE

## PCB Design

PCB design is critical to high-frequency switching regulator performance. Careful component placement and trace routing are necessary to reduce voltage spikes and minimize undesirable voltage drops. Selection of a suitable thermal interface material is also required for optimum heat dissipation and to provide lead strain relief. See [Table 1 on page 20](#) for layout x-y coordinates.

## PCB Plane Allocation

Four layers of 2-oz. copper are recommended. Layer 2 should be a dedicated ground plane with all critical component ground connections made with vias to this layer. Layer 3 should be a dedicated power plane split between the input and output power rails. Layers 1 and 4 should be used primarily for signals but can also provide additional power and ground islands, as required.

## PCB Component Placement

Components should be placed as close as possible to the IC to minimize stray inductance and resistance. Prioritize the placement of bypass capacitors on the pins of the IC in the order shown: REF, SS, AVDD, DVDD, PVINx (high frequency capacitors), EN, PGOOD, PVINx (bulk capacitors).

Locate the output voltage resistive divider as close as possible to the FB pin of the IC. The top leg of the divider should connect directly to the POL (Point of Load), and the bottom leg of the divider should connect directly to AGND. The junction of the resistive divider should connect directly to the FB pin.

Locate a Schottky clamp diode as close as possible to the LXx and PGNDx pins of the IC. A small series R-C snubber connected from the LXx pins to the PGNDx pins may be used to damp high frequency ringing on the LXx pins, if desired, see [Figure 27](#).

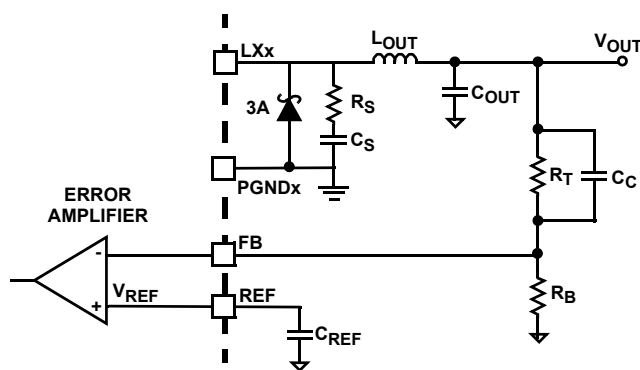


FIGURE 27. SCHOTTKY DIODE AND R-C SNUBBER

## PCB Layout

Use a small island of copper to connect the LXx pins of the IC to the output inductor on Layers 1 and 4. To minimize capacitive coupling to the power and ground planes, void the copper on Layers 2 and 3 adjacent to the island. Place most of the island of Layer 4 to minimize the amount of copper that must be voided from the ground plane (Layer 2).

Keep all other signal traces as short as possible.

For an example layout, see [AN1842](#).

## Thermal Management for Ceramic Package

For optimum thermal performance, place a pattern of vias and a thermal land on the top layer of the PCB directly underneath the IC. Connect the vias to the plane which serves as a heatsink. To ensure good thermal contact, thermal interface material such as a Sil-Pad or thermally conductive epoxy should be used to fill the gap between the vias and the bottom of the ceramic package.

## Lead Strain Relief

The package leads protrude from the bottom of the package and the leads need forming to provide strain relief. On the ceramic bottom package R48.A, the Sil-pad or epoxy maybe be used to fill the gap left between the PCB board and the bottom of the package when lead forming is completed. On the heatsink option of the package, R48.B, the lead forming should be made so that the bottom of the heatsink and the formed leads are flush.

## Heatsink Mounting Guidelines

The R48.B package option has a heatsink mounted on the underside of the package. The following JESD51-5 guidelines may be used to mount the package:

1. Place a thermal land on the PCB under the heatsink.
2. The land should be approximately the same size as to 1mm larger than the 9x9mm heatsink.
3. Place an array of thermal vias below the thermal land.
  - Via array size:  $\sim 8 \times 8 = 64$  thermal vias
  - Via diameter:  $\sim 0.3$ mm drill diameter with plated copper on the inside of each via.
  - Via pitch:  $\sim 1.2$ mm.
  - Vias should drop to and contact as much buried metal area as feasible to provide the best thermal relief.

# ISL70001ASEH

## Heatsink Electrical Potential

The heatsink is electrically isolated and unbiased. The heatsink may be electrically connected to any potential which offers the best thermal relief through conductive mounting materials

(conductive epoxy, solder, etc) or may be left unbiased through the use of electrically non-conductive mounting materials (non-conductive epoxy, Sil-pad, kapton film, etc.).

## Weight Characteristics

### Weight of Packaged Device

1.602 Grams typical - R48.A Package

2.440 Grams typical - R48.B Package

## Die Characteristics

### Die Dimensions

5720 $\mu$ m x 5830 $\mu$ m (225.2 mils x 229.5 mils)

Thickness: 483 $\mu$ m  $\pm$  25.4 $\mu$ m (19.0 mils  $\pm$  1 mil)

## Interface Materials

### GLASSIVATION

Type: Silicon Oxide and Silicon Nitride

Thickness: 0.3 $\mu$ m  $\pm$  0.03 $\mu$ m to 1.2 $\mu$ m  $\pm$  0.12 $\mu$ m

### TOP METALLIZATION

Type: AlCu (0.5%)

Thickness: 2.7 $\mu$ m  $\pm$  0.4 $\mu$ m

### SUBSTRATE

Type: Silicon

Isolation: Junction

### BACKSIDE FINISH

Silicon

## ASSEMBLY RELATED INFORMATION

### Substrate Potential Package R48.A and R48.B

PGND

### Metal Lid Potential

Electrically Isolated -Package R48.A

PGND - Package R48.B

## ADDITIONAL INFORMATION

### Worst Case Current Density

$< 2 \times 10^5$  A/cm<sup>2</sup>

### Transistor Count

25030

## Layout Characteristics

### Step and Repeat

5720 $\mu$ m x 5830 $\mu$ m

Connect PGND to PGNDx

## Metallization Mask Layout

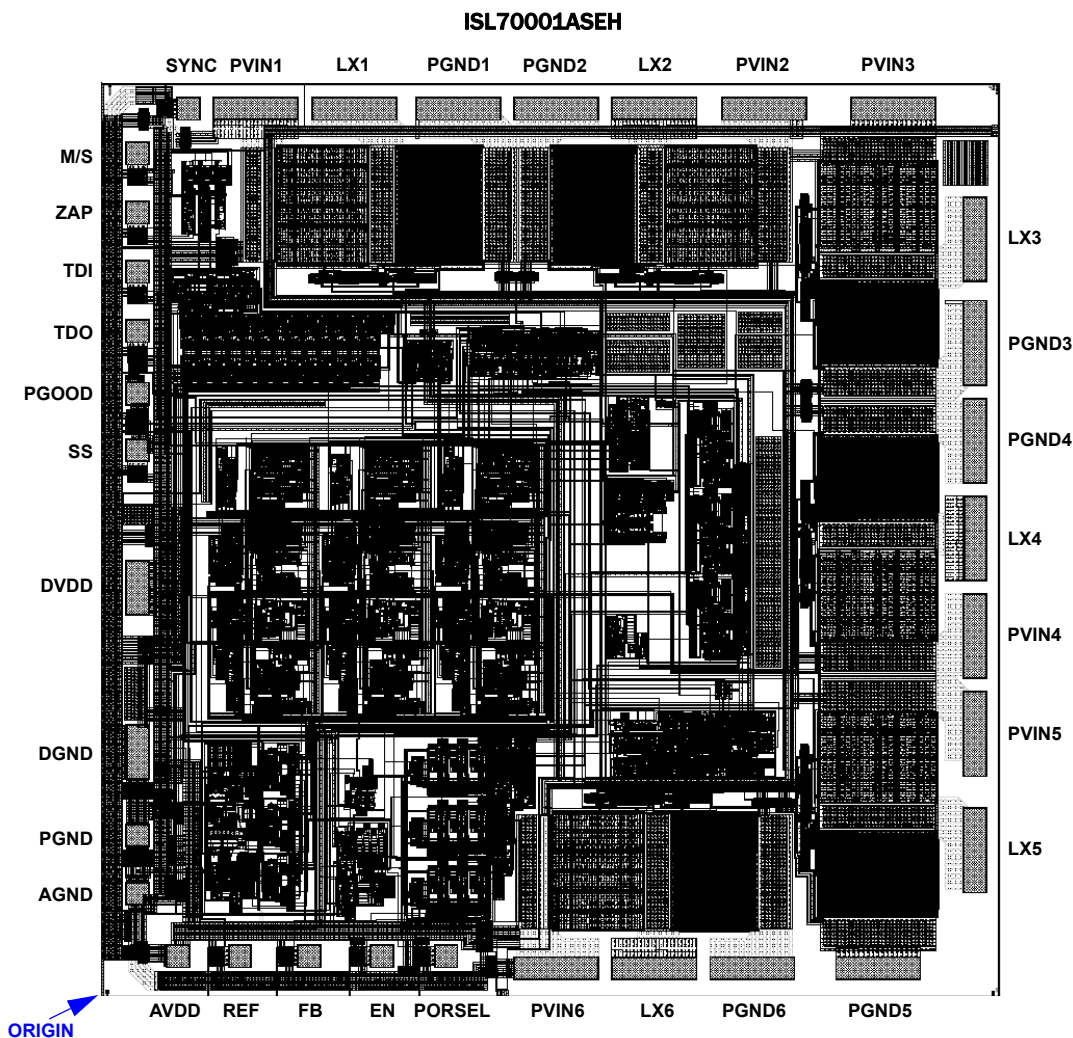


TABLE 1. LAYOUT X-Y COORDINATES

PAD NAME	PAD NUMBER	X (μm)	Y (μm)	dX (μm)	dY (μm)	BOND WIRES PER PAD
AVDD	15	478	263	135	135	1
REF	16	865	263	135	135	1
FB	17	1295	263	135	135	1
EN	18	1751	263	135	135	1
PORSEL	19	2151	263	135	135	1
PVIN6	20	2838	188	521	135	3
LX6	21	3449	188	521	135	3
PGND6	22	4060	188	521	135	3
PGND5	23	4845	188	521	135	3
LX5	24	5449	925	135	521	3
PVIN5	25	5449	1651	135	521	3
PVIN4	26	5449	2263	135	521	3
LX4	27	5449	2874	135	521	3

# ISL70001ASEH

TABLE 1. LAYOUT X-Y COORDINATES (Continued)

PAD NAME	PAD NUMBER	X ( $\mu\text{m}$ )	Y ( $\mu\text{m}$ )	dX ( $\mu\text{m}$ )	dY ( $\mu\text{m}$ )	BOND WIRES PER PAD
PGND4	28	5449	3485	135	521	3
PGND3	29	5449	4096	135	521	3
LX3	30	5449	4745	135	521	3
PVIN3	31	4941	5559	521	135	3
PVIN2	32	4137	5559	521	135	3
LX2	33	3449	5559	521	135	3
PGND2	34	2838	5559	521	135	3
PGND1	1	2227	5559	521	135	3
LX1	2	1578	5559	521	135	3
PVIN1	3	962	5559	521	135	3
SYNC	4	544	5559	135	135	1
M/S	5	226	5280	135	135	1
ZAP	6	226	4910	135	135	1
TDI	7	226	4540	135	135	1
TD0	8	226	4170	135	135	1
PGOOD	9	226	3777	135	135	1
SS	10	226	3425	135	135	1
DVDD	11	226	2566	135	333	2
DGND	12	226	1538	135	333	2
PGND	13	226	1018	135	135	1
AGND	14	226	654	135	135	1

# ISL70001ASEH

## Revision History

The revision history provided is for informational purposes only and is believed to be accurate, but not warranted. Please go to web to make sure you have the latest Rev.

DATE	REVISION	CHANGE
May 20, 2014	FN8365.2	Page 11: <a href="#">Figure 13</a> and <a href="#">14</a> , updated the LX Signal label from 5V/div to 2V/div.
February 26, 2014	FN8365.1	Added Note 10 "L = 1 $\mu$ H connected to Lx." on page 9 Added Note 11 "1k $\Omega$ PGOOD pull-up resistor is not populated." on page 9 Removed MSL note from the ordering information on page 2 as it is not applicable to Hermetic packages.
May 22, 2013	FN8365.0	Initial Release

## About Intersil

Intersil Corporation is a leading provider of innovative power management and precision analog solutions. The company's products address some of the largest markets within the industrial and infrastructure, mobile computing and high-end consumer markets.

For the most updated datasheet, application notes, related documentation and related parts, please see the respective product information page found at [www.intersil.com](http://www.intersil.com).

You may report errors or suggestions for improving this datasheet by visiting [www.intersil.com/ask](http://www.intersil.com/ask).

Reliability reports are also available from our website at [www.intersil.com/support](http://www.intersil.com/support)

For additional products, see [www.intersil.com/en/products.html](http://www.intersil.com/en/products.html)

Intersil products are manufactured, assembled and tested utilizing ISO9001 quality systems as noted in the quality certifications found at [www.intersil.com/en/support/qualandreliability.html](http://www.intersil.com/en/support/qualandreliability.html)

*Intersil products are sold by description only. Intersil Corporation reserves the right to make changes in circuit design, software and/or specifications at any time without notice. Accordingly, the reader is cautioned to verify that data sheets are current before placing orders. Information furnished by Intersil is believed to be accurate and reliable. However, no responsibility is assumed by Intersil or its subsidiaries for its use; nor for any infringements of patents or other rights of third parties which may result from its use. No license is granted by implication or otherwise under any patent or patent rights of Intersil or its subsidiaries.*

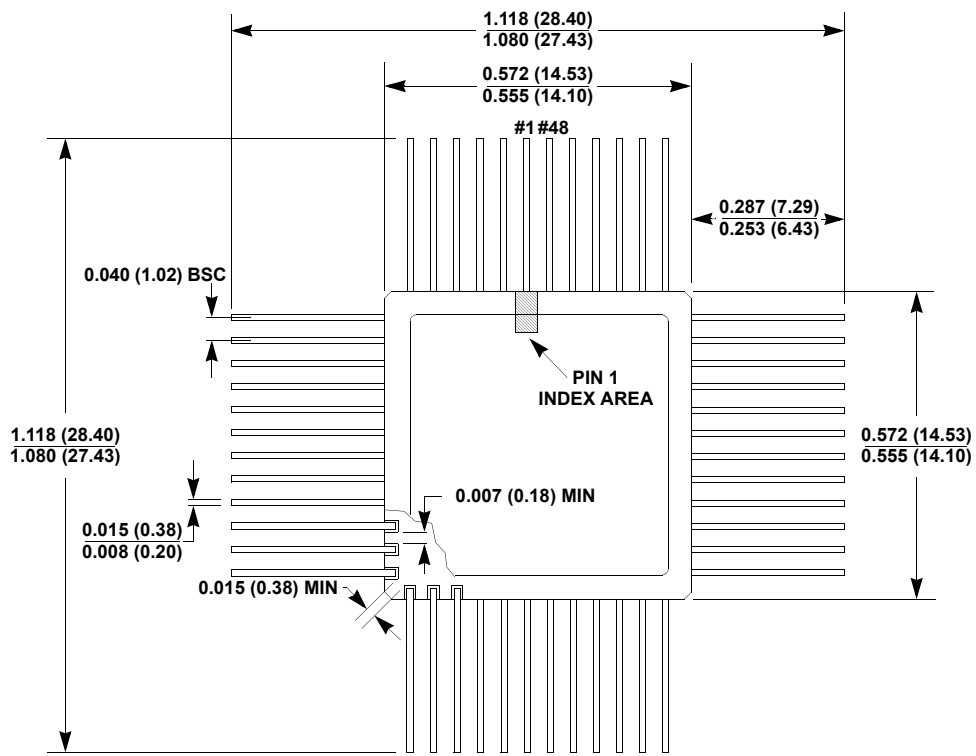
For information regarding Intersil Corporation and its products, see [www.intersil.com](http://www.intersil.com)

# Package Outline Drawing

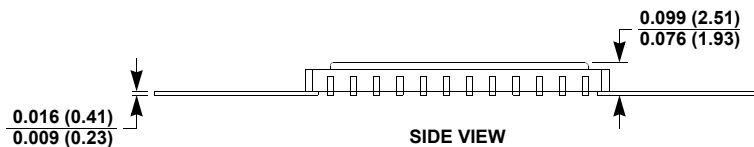
## R48.A

48 CERAMIC QUAD FLATPACK PACKAGE (CQFP)

Rev 3, 10/12



TOP VIEW



SIDE VIEW

NOTE:

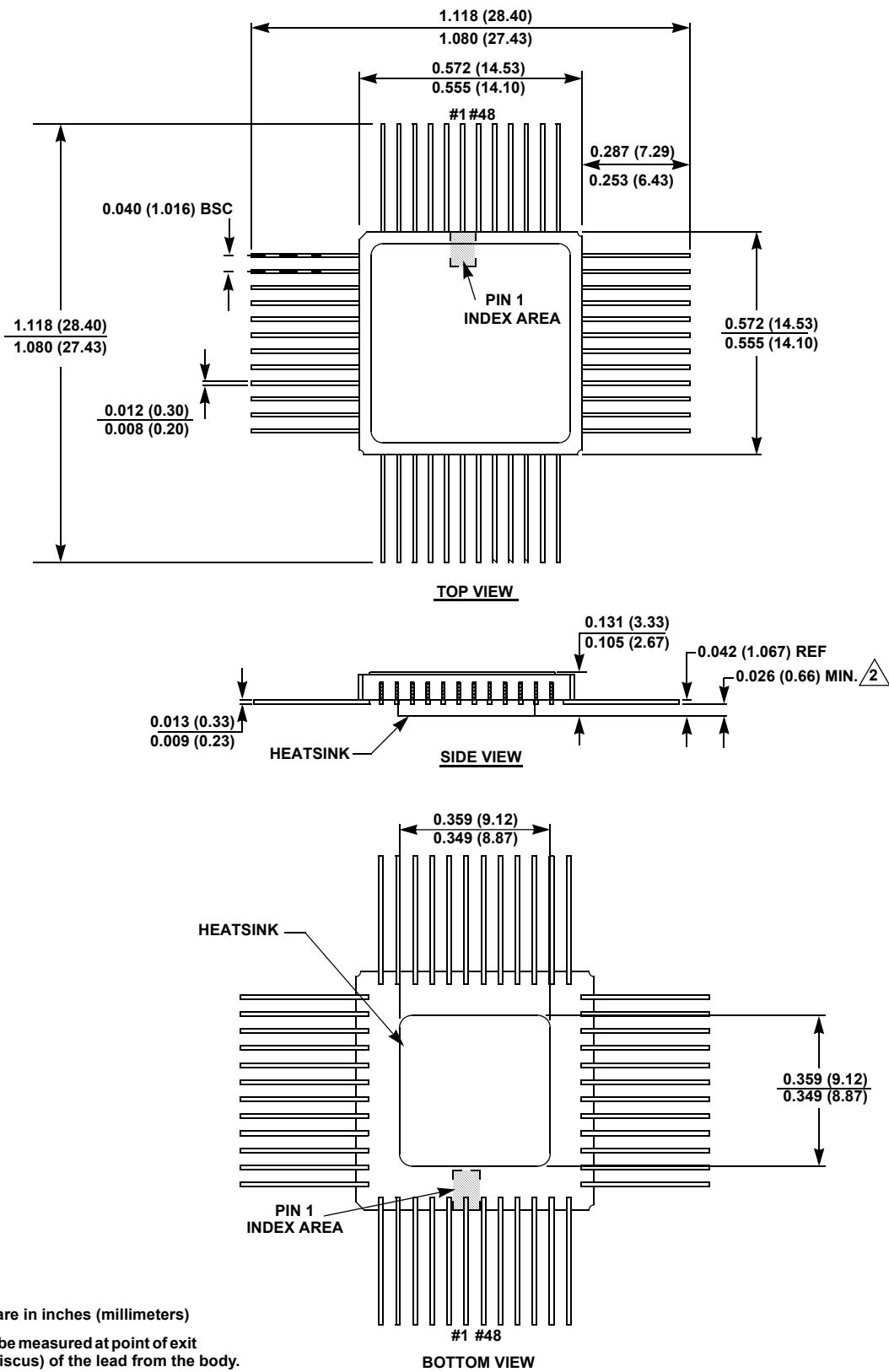
1. All dimensions are in inches (millimeters).

## Package Outline Drawing

R48.B

48 CERAMIC QUAD FLATPACK PACKAGE (CQFP) WITH BOTTOM HEATSINK

Rev 0, 10/12



**NOTES:**

1. All dimensions are in inches (millimeters)
2. Dimension shall be measured at point of exit (beyond the meniscus) of the lead from the body.